

# ROTARY SENSORS

## 15mm Rotary Sensor



### ◆ Applications

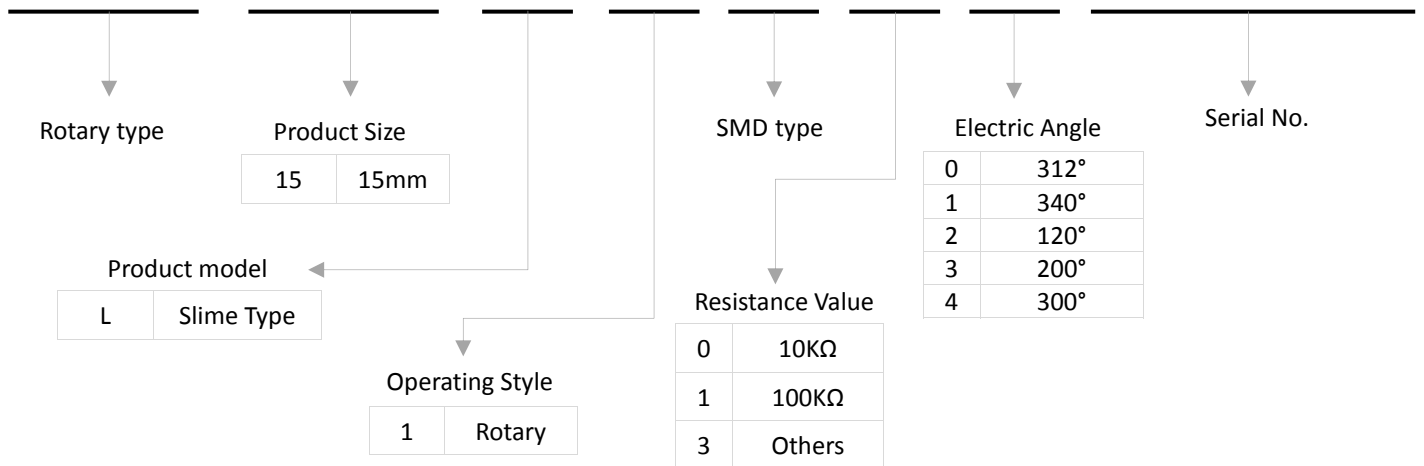
- Automotive HVAC, Seat, Rear-view mirror actuator feedback sensor and HVAC Controls
- Timer & Function/ Programme and Select for washing machines, Dishwashers and all white Goods in general

### ◆ Feature

- Extend mechanical life
- SMD Reflow soldering capability
- Low profile, Linearity  $\pm 3\%$ (standard)

### ◆ PRODUCTS NUMBERING SYSTEM

R	D	1	5	L	1	1	1	1	0	0	1
---	---	---	---	---	---	---	---	---	---	---	---



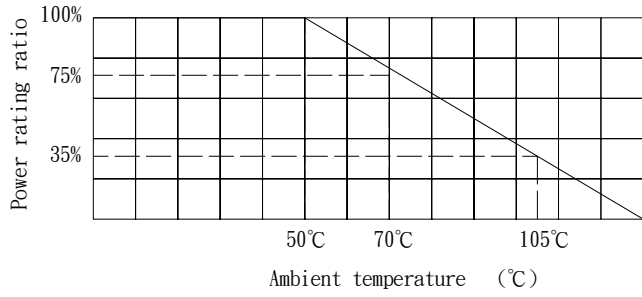
### ◆ COMMON SPECIFICATIONS

Characteristics	Specification
Total Resistance( $\Omega$ )	10K, 100K
Total Resistance Tolerance	$\pm 30\%$
Rated power (W)	0.15W @ 50°C
Linearity( absolute )	$\pm 3\%$
Taper	Linear
Mechanical Life( without load )	100,000 cycles
Operating temperature range(°C)	-40 ~ +85
Rotational Torque( gf-cm )	100 Max.
Max Voltage	DC 250V
Mechanical Angle	360° endless
Electrical Angle	340° $\pm 10^\circ$

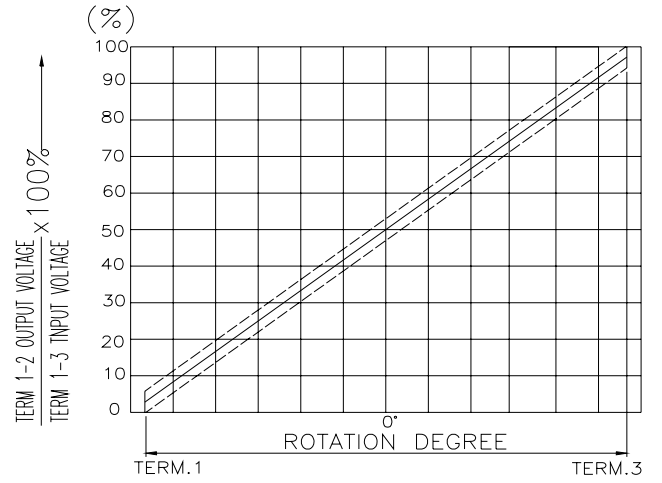
# ROTARY SENSORS

## 15mm Rotary Sensor

### ◆ POWER RATING CURVE :



### ◆ REFERENCE CHARACTERISTIC CURVE

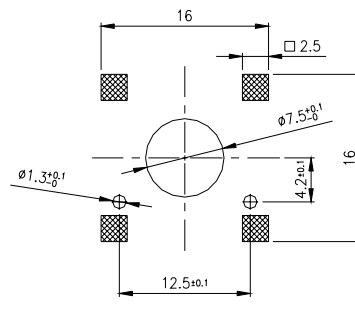
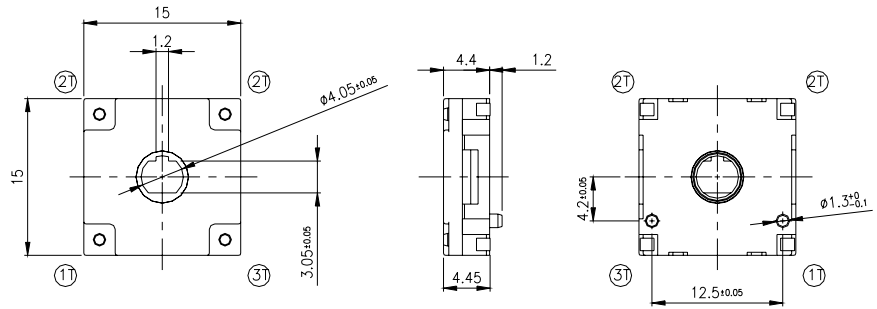


### ◆ DIMENSIONS

Unit : mm

RD15L111100N

SMD type



P.C.B TERMINAL POSITION

