

SLIDE SENSOR

Long Life Rail Master With Motor Type



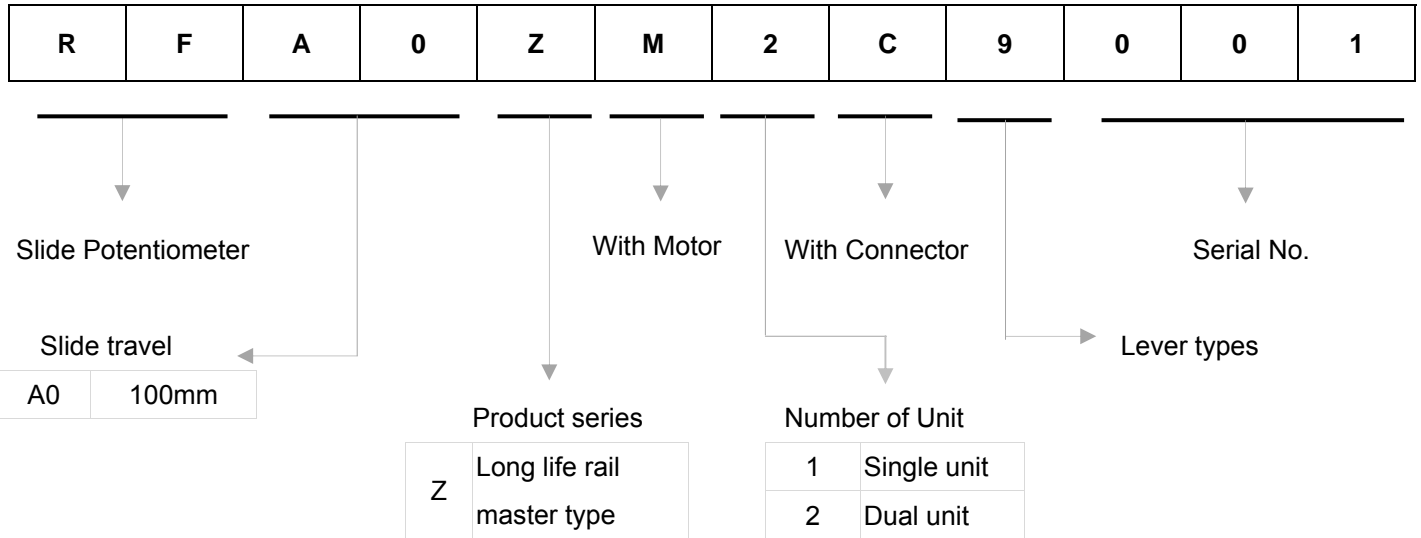
◆ FEATURE

- Programmable and precise slide pattern.
- Touch sensitive lever which enables fader to the slightest physical contact.

◆ APPLICATIONS

- Master volume control in high-grade audio equipment fader for studio mixer, etc.

◆ PRODUCTS NUMBERING SYSTEM



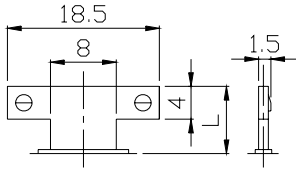
◆ COMMON SPECIFICATIONS

Characteristics	Specification
Operating temperature range	-10°C to +70°C
Total resistance (KΩ)	5、10、20、50、100、250、500
Total resistance tolerance	±20%
Resistance taper	A、B、C
Operating force	50 gf max
Sliding service life	1,000,000 cycles
Rated voltage	10V D.C
Operating supply voltage range	6~11V D.C.
Maximum current	800mA max

SLIDE SENSOR

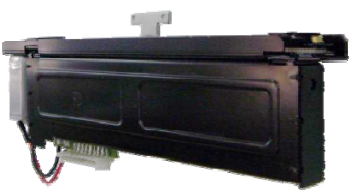
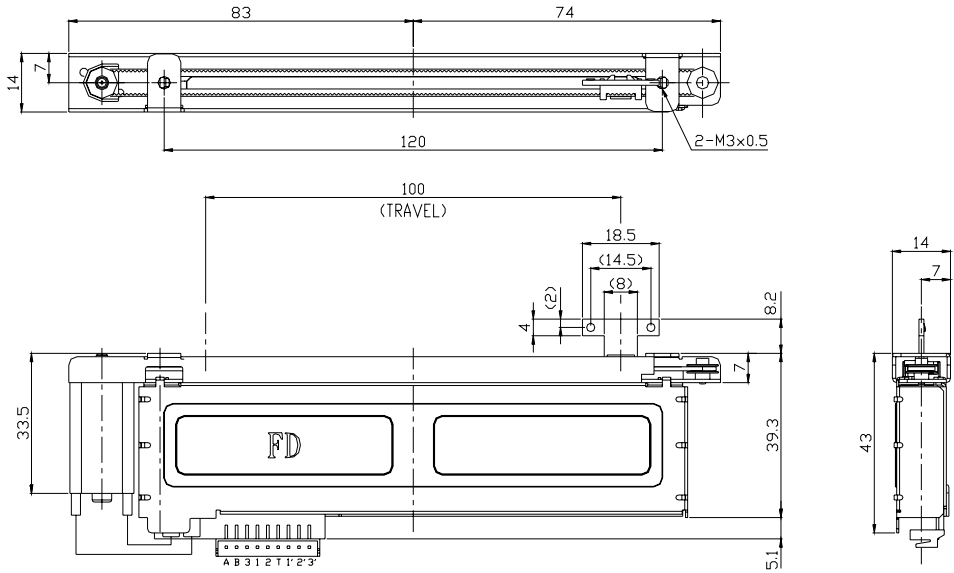
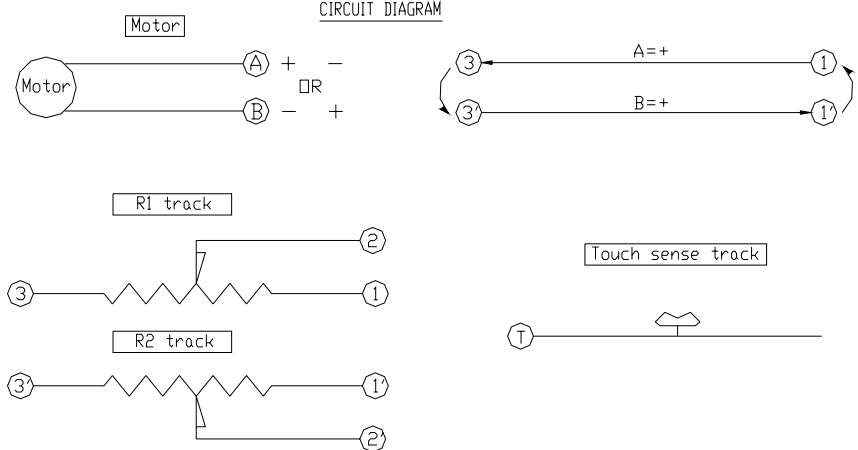
Long Life Rail Master With Motor Type

LEVER TYPES

Material	Metal lever
Lever type	9
	t=1.2
Dimensions	
Length (L)	8.2

DIMENSIONS

Unit : mm

Model	Dimensions
	 <p>CIRCUIT DIAGRAM</p>  <p>Motor connections: A (+), B (-), A=+, B=+</p> <p>R1 track: ③ --- [Resistor] --- ① --- [Resistor] --- ②</p> <p>R2 track: ③ --- [Resistor] --- ① --- [Resistor] --- ②</p> <p>Touch sense track: T --- [Switch] ---</p>