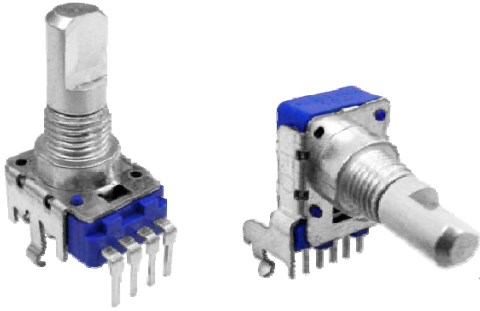


ROTARY POTENTIOMETERS

12mm Size Metal Shaft Potentiometers



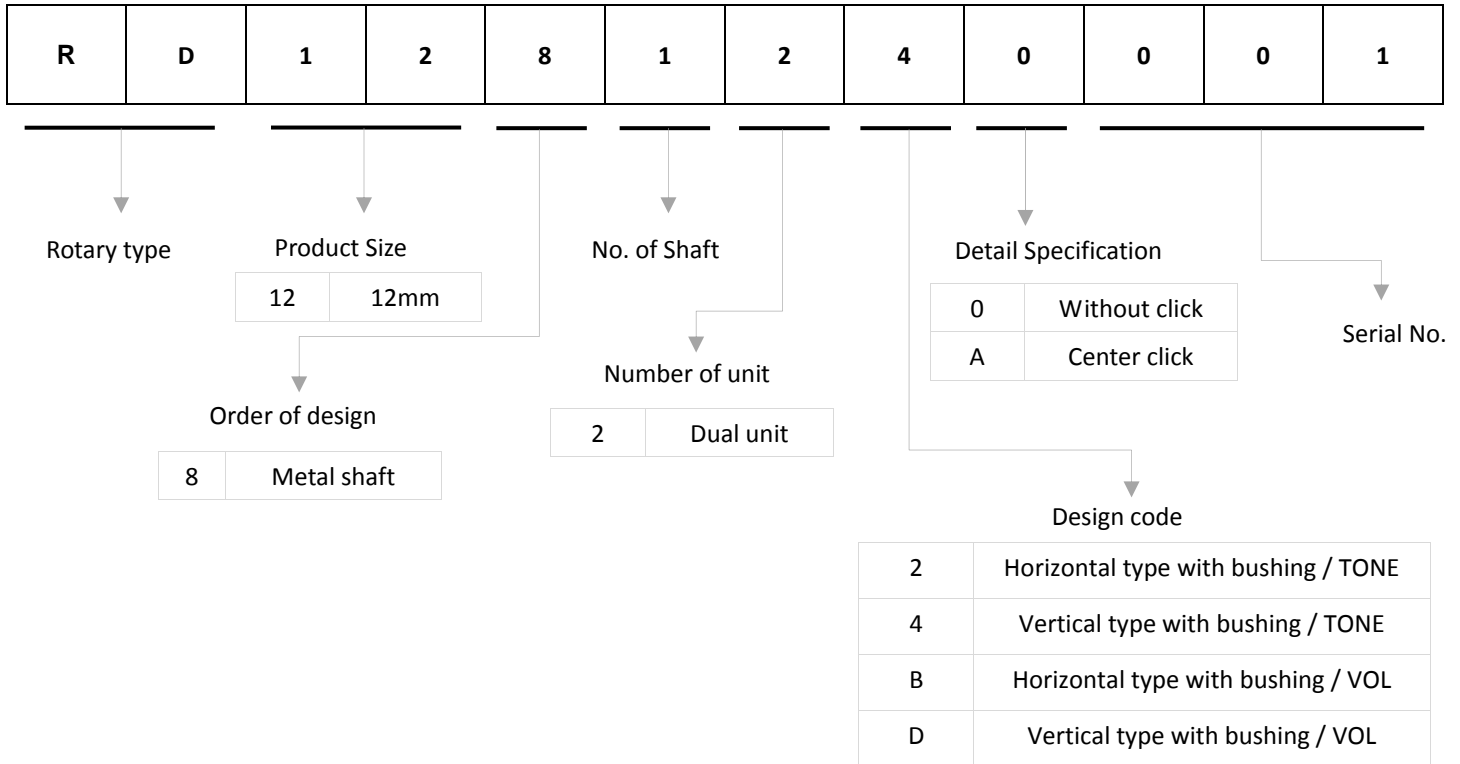
◆ FEATURE

- Insert-molding with resin applied around the resistor assures high flux resistance.
- Since a variety of types are available, they can be used for a wide range of products including audio equipment.
- Units can be provided with bushing, tap and detent

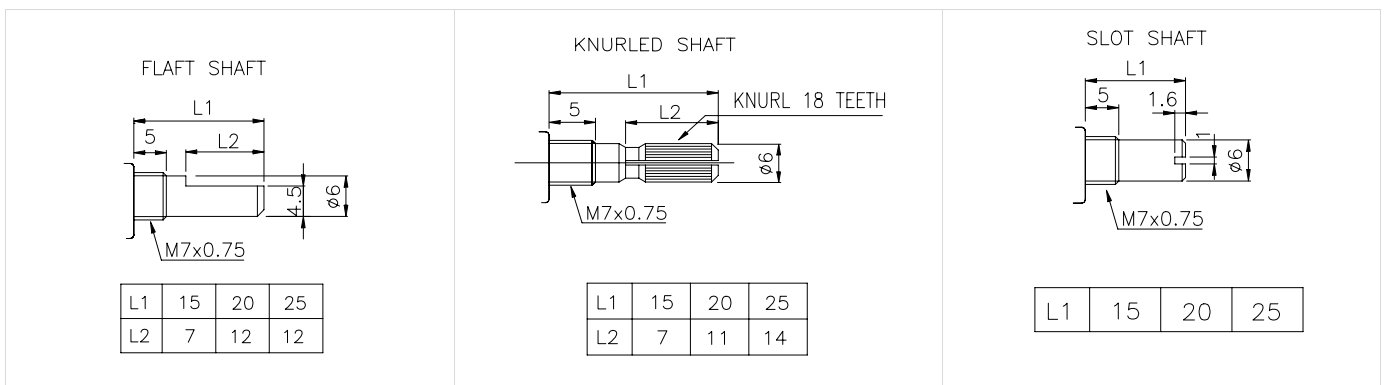
◆ APPLICATIONS

- Ideal for volume, tone and balance control of car audio equipment.

◆ PRODUCTS NUMBERING SYSTEM



◆ DIMENSIONS OF SHAFT



ROTARY POTENTIOMETERS

12mm Size Metal Shaft Potentiometers

◆ COMMON SPECIFICATION

Characteristics		Specification
Total rotational angle	General	300±5°
Rotational torque		20~250gf.cm
Detent torque	center detent	Rotational torque+ (30~200) gf.cm
Rotation stopper strength	General	3.5Kgf · cm
Push pull strength		10Kgf Max
Total resistance (KΩ)		5,10,20,50,100,250,500
Total resistance tolerance		±20%
Rated power		0.05W
Resistance taper		A,B,C,D,E,K,W,RD,M,N
Maximum operating Voltage	50V AC R ≤ 10	10V DC 20Ω Max
Residual resistance	10 < R < 50 R ≤ 10	30Ω Max 0.1% Max of total resistance
Slider noise		100 mV Max
Insulation resistance		100MΩ Min. 250V DC
Withstand voltage		1 minute 300V AC

◆ DIMENSIONS

Unit: mm

Model	Dimensions
Single shaft, quad unit RD128124 (For tone) RD12812D (For vol.)	
Single shaft, dual unit RD128122 (For tone) RD12812B (For vol.)	