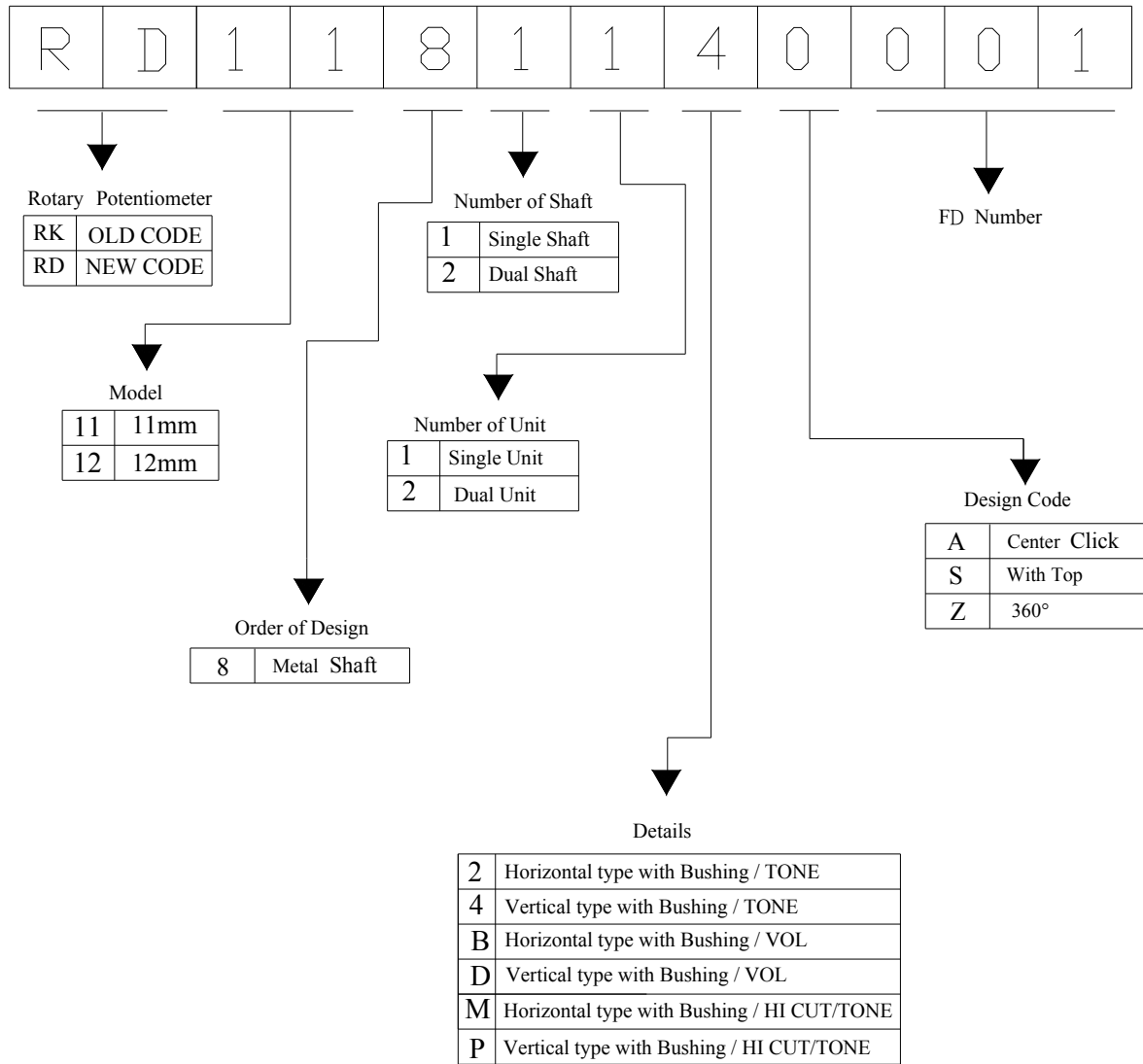
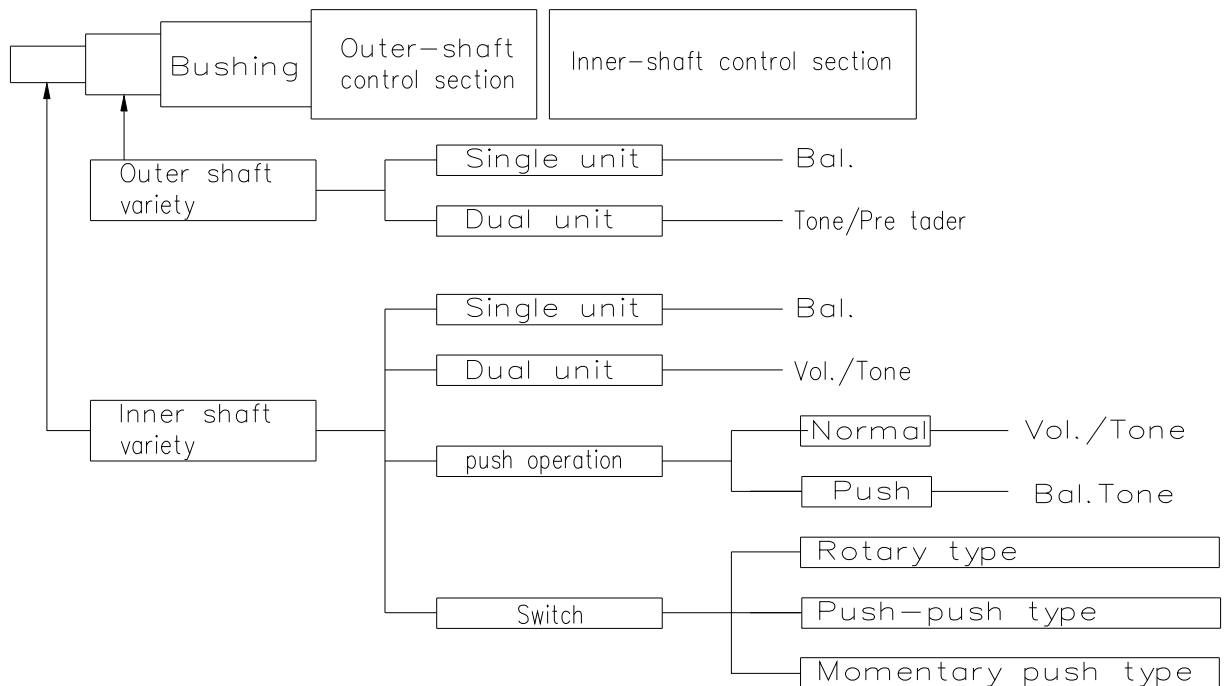


ROTARY POTENTIOMETERS

11mm /12mm Metal Shaft Potentiometers

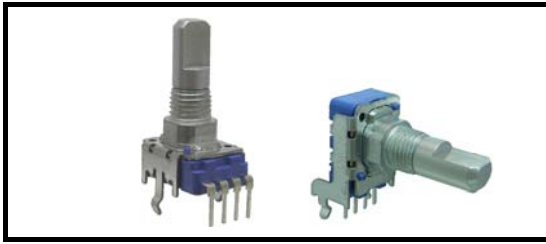


Configuration Chart



ROTARY POTENTIOMETERS

11mm /12mm Size Metal Shaft Potentiometers



◆ Feature

- Insert-molding with resin applied around the resistor Assures high flux resistance.
- Since a variety of types are available, they can be used For a wide range of products including audio Equipment.
- Units can be provided with bushing, tap and detent

◆ Applications

- Ideal for volume, tone and balance control of car audio equipment.

◆ Common specification

Characteristics		Specification
Total rotational angle	General	300±5°
	Shaft moving type	360°
Rotational torque		20~250gf.cm
Detent torque	center detent	Rotational torque+ (30~200) gf.cm
Rotation stopper strength	General	5Kgf.cm
	Shaft moving type	-
Push pull strength		10kgf max
Total resistance (KΩ)		5.10.20,50,100,250.500
Total resistance tolerance		±20%
Rated power		0.05W
Resistance taper		A,B,C,D,E,K,W,RD,M,N
Maximum operating Voltage		50V AC 10V DC
Residual resistance	R ≤ 10	20 Ω MAX
	10 < R < 50	30 Ω MAX
	R ≤ 10	0.1% MAX of total resistance
Slider noise		100 mV max.
Insulation resistance		100mΩ min. 250V DC
Withstand voltage		1 minute 300V AC
Rotation life		15,000 cycles

◆ Dimensions of shaft


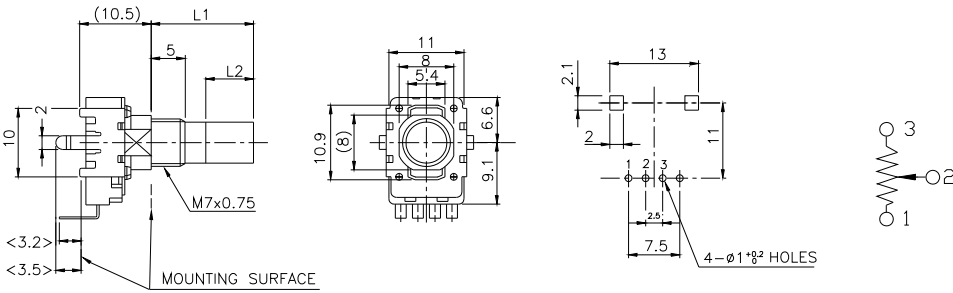

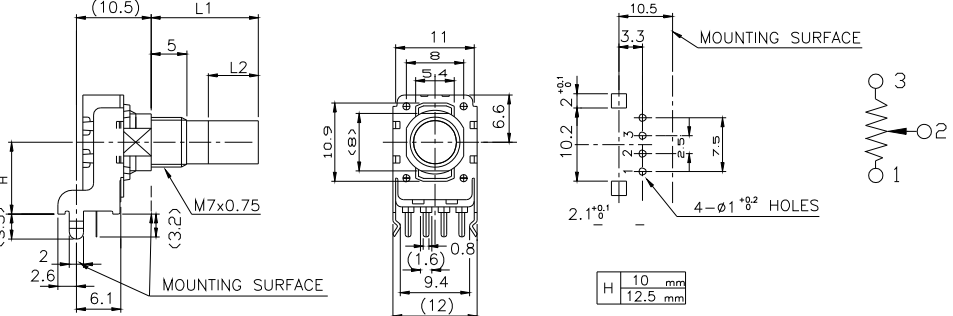
FLAFT SHAFT		KNURLED SHAFT		SLOT SHAFT	
L1	15 20 25	L1	15 20 25	L1	15 20 25
L2	7 12 12	L2	7 11 14		

ROTARY POTENTIOMETERS

11mm Size Metal Shaft Potentiometers

◆ Dimensions

Unit:mm

Model	Dimensions
<p>Single shaft, single unit RD118114</p> 	
<p>Single shaft, single unit RD118112</p> 	
<p>Single shaft, dual unit RD118124Z (360°)</p> 