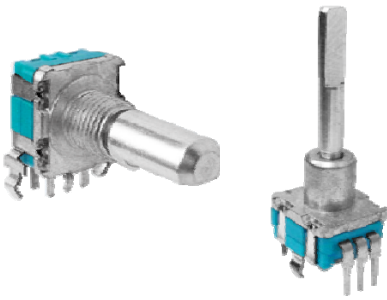


ROTARY SENSORS

11mm Size Metal Shaft Potentiometers



◆ FEATURE

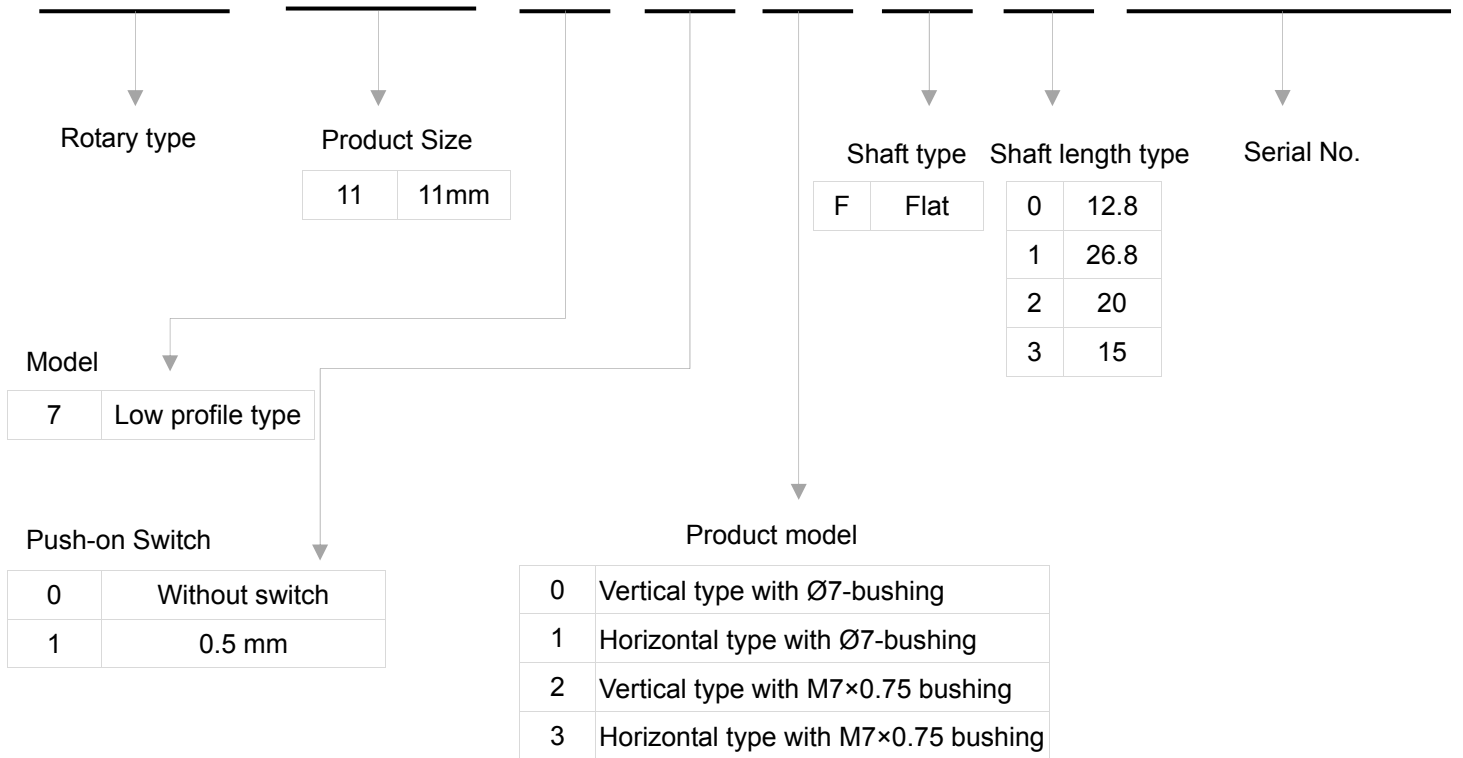
Sound volume, quality and balance control for car audio system and other audio system

◆ APPLICATIONS

Low profile type with 0.5mm travel push-on switch. Solder able with auto dipping.

◆ PRODUCTS NUMBERING SYSTEM

R	D	1	1	7	1	0	F	0	0	0	1
---	---	---	---	---	---	---	---	---	---	---	---



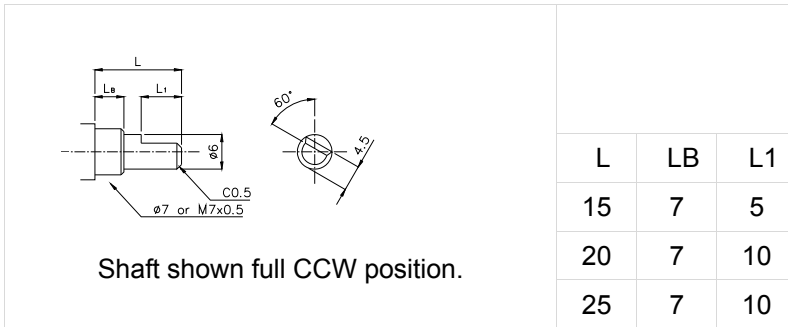
◆ COMMON SPECIFICATIONS

Items	Specification	
Total rotational angle	General	300±5°
	Shaft moving type	300+10°/-5°
Rotational torque	20~250gf.cm	
Total resistance (KΩ)	5,10,20,50,100,250	
Total resistance tolerance	±20%	
Rated power	0.05W	
Resistance taper	A, B, C, D, E, K, W, RD, M, N	
Maximum operating Voltage	50V AC	10V DC
Rotation life	15,000 cycles	

ROTARY POTENTIOMETERS


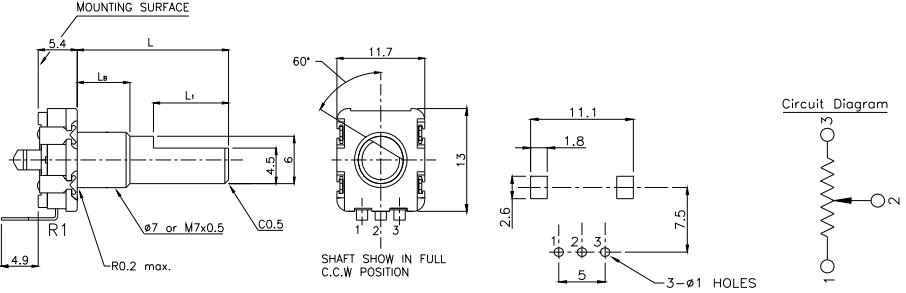

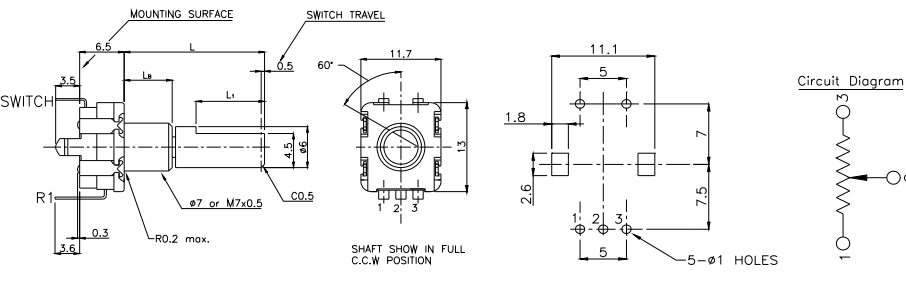
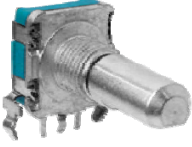
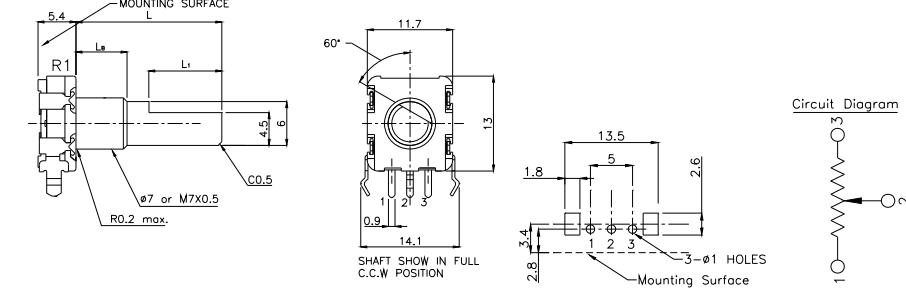
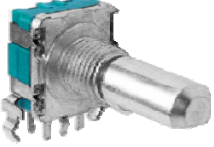
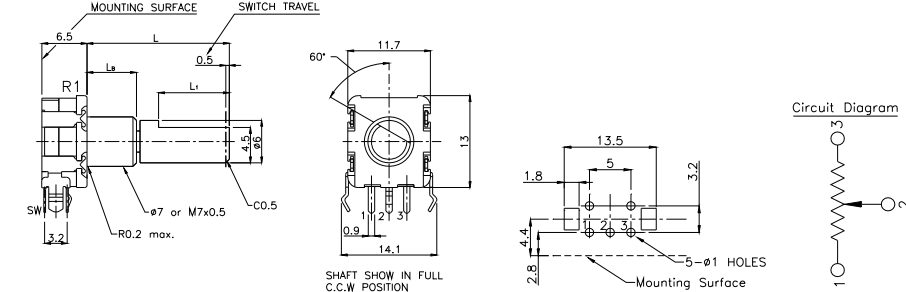
11mm Size Metal Shaft Potentiometers

◆ DIMENSIONS OF SHAFT



DIMENSIONS

Unit: mm

Model	Dimensions
Vertical type RD11700F 	 <p>Technical drawing details: MOUNTING SURFACE, 5.4, L, L_b, L₁, 60°, 11.7, 1.3, 4.5, 6, ø7 or M7x0.5, C0.5, R1, 4.9, R0.2 max., SHAFT SHOW IN FULL C.C.W POSITION, 11.1, 1.8, 2.6, 7.5, 3-ø1 HOLES, Circuit Diagram</p>
Vertical type With 0.5mm Push-on SW RD11710F 	 <p>Technical drawing details: MOUNTING SURFACE, SWITCH TRAVEL, 6.5, L, L_b, L₁, 60°, 11.7, 1.3, 4.5, 6, ø7 or M7x0.5, C0.5, R1, 0.3, R0.2 max., SWITCH, 3.5, 3.6, SHAFT SHOW IN FULL C.C.W POSITION, 11.1, 5, 1.8, 7, 7.5, 5-ø1 HOLES, Circuit Diagram</p>
Horizontal type RD11701F 	 <p>Technical drawing details: MOUNTING SURFACE, 5.4, L, L_b, L₁, 60°, 11.7, 1.3, 4.5, 6, ø7 or M7x0.5, C0.5, R1, R0.2 max., SHAFT SHOW IN FULL C.C.W POSITION, 14.1, 13.5, 1.8, 5, 2.6, 3-ø1 HOLES, Mounting Surface, Circuit Diagram</p>
Horizontal type With 0.5mm Push-on SW RD11711F 	 <p>Technical drawing details: MOUNTING SURFACE, SWITCH TRAVEL, 6.5, L, L_b, L₁, 60°, 11.7, 1.3, 4.5, 6, ø7 or M7x0.5, C0.5, R1, SW, 3.2, R0.2 max., SHAFT SHOW IN FULL C.C.W POSITION, 14.1, 13.5, 1.8, 5, 3.2, 5-ø1 HOLES, Mounting Surface, Circuit Diagram</p>