

Blore Edwards Rotary Wafer Switches – PY

WE'RE IN CONTROL

General characteristics of TYPE PY

The Type PY Rotary Wafer Switch has 31.8mm diameter moulded wafers and is available as a 30° degree indexing switch. The pressed steel front plates are available with imperial and metric threads and with a 0° set locating lug if required. The PY is fitted with a single coil spring which is available in three different torques. The PY is also available with a double spring mechanism for a sturdier, heavier duty feel and heavy torque.

Electrical Specification

Maximum working voltage 300V ac (rms) or dc

Contact rating

| | |
|---|---|
| Current Carrying | 5 Amp |
| Current Breaking with resistive load | 25 Watt ac or 15 Watt dc Recommended max voltage 300V ac and max current 500mA ac, dc |
| Proof voltage | 1000V ac (rms) minimum |
| Insulation resistance (all paths) | Greater than 10 ⁶ Megohms |
| Contact resistance (initial) (After 20,000 cycles) | 2 – 10 Milliohms Not greater than 5 milliohms above initial |

Mechanical Specification

End Stop Strength 1.7Nm (15lb ins)
Maximum switching per wafer

| | | | | | | | | |
|-------|----|---|---|---|---|---|---|--------------|
| Poles | 1 | 2 | 3 | 4 | 5 | 6 | 7 | |
| Ways | 12 | 9 | 5 | 4 | 3 | 2 | 2 | 30° Indexing |

Contacts

Standard – Brass silver plated, silver alloy or brass gold plated contacts are available
PC Terminations – available in above finishes
PC Pin and standard terminations

Rotor Blades

Make before break or break before make, all available in above finishes

Insulation

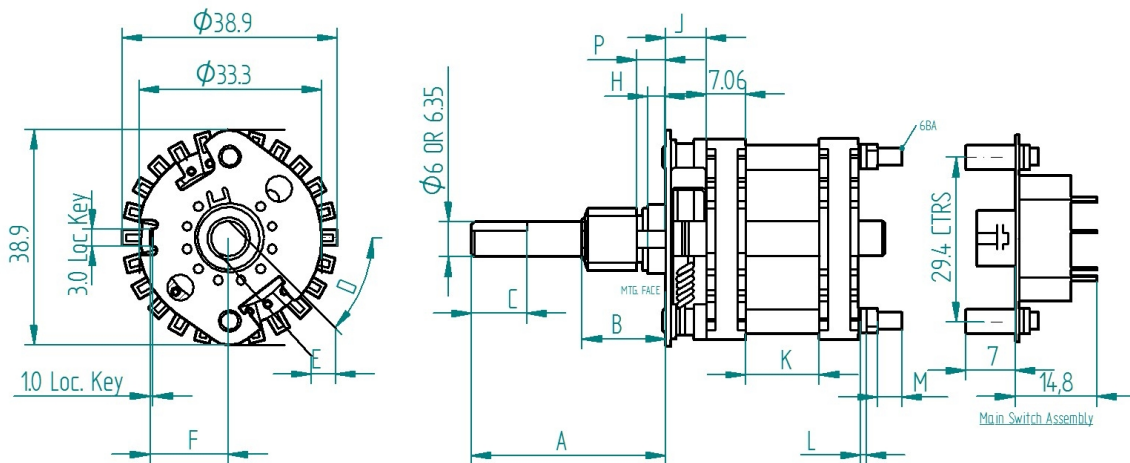
Stator – Moulded diallylphthalate (DAP)
Rotor – Acetal resin

Finish

Standard – Zinc plated and passivated. Other finishes available on request

TYPE PY

Dimensions in millimetres



Key to Details

- A. Shaft length to specification
- B. Bushing thread length. Imp. 9.5 or Metric 8.0, 10.0 or 12.0mm
- C. Flat length to specification. Special flat trims may be provided to special requirement
- D. Angle of flat to specification $\pm 2^\circ$. Specify position of flat with switch in fully anti-clockwise position when viewed from knob end.
- E. Flat thickness to spec. standard 5.54 ± 0.05
- F. Distance of locating key centre line to centre line of shaft.
- G. Angle of locating key: Type PY as shown
- H. Bushing shoulder: Type PY 3.16 (0.125")
- J. Type PY 10.5 (0.413") standard
- K. Wafers are self-stacking. Spacing between wafers can be provided in 1mm increments.
- L. If no spacer 4.0 spacers may be inserted at this point in 1mm increments.
- M. As required.
- P. Locating lug lengths
Unsealed Type PY 1.6 mm above mounting face.
Sealed Type PY 0.05/0.15 below mounting face.

Optional features

Concentric shafts – dual concentric mechanisms, panel and spindle seals, printed circuit terminations, adjustable stop, electrostatic screens and facilities for fitting mains switches, potentiometers and potentiometers with mains switches.

Typical Applications

The PY is a good fit for where space is not crucial. It is used in **Test Equipment**, in the **Nuclear Industry** and **Calibration** equipment. With double-sided contacts the PY is a good way of lowering contact resistance and makes it a good choice for test equipment and instrumentation for a wide variety of industries from Nuclear to Rail.