

# ENCODER

## 9mm Size Encoder



### ◆ FEATURE

- Very small, only 9.5mm wide.
- Contour is similar to 9mm size metal shaft rotary potentiometers.

### ◆ APPLICATIONS

- Various controls for car audio equipment , AV equipment, communication equipment etc.

### ◆ COMMON SPECIFICATION

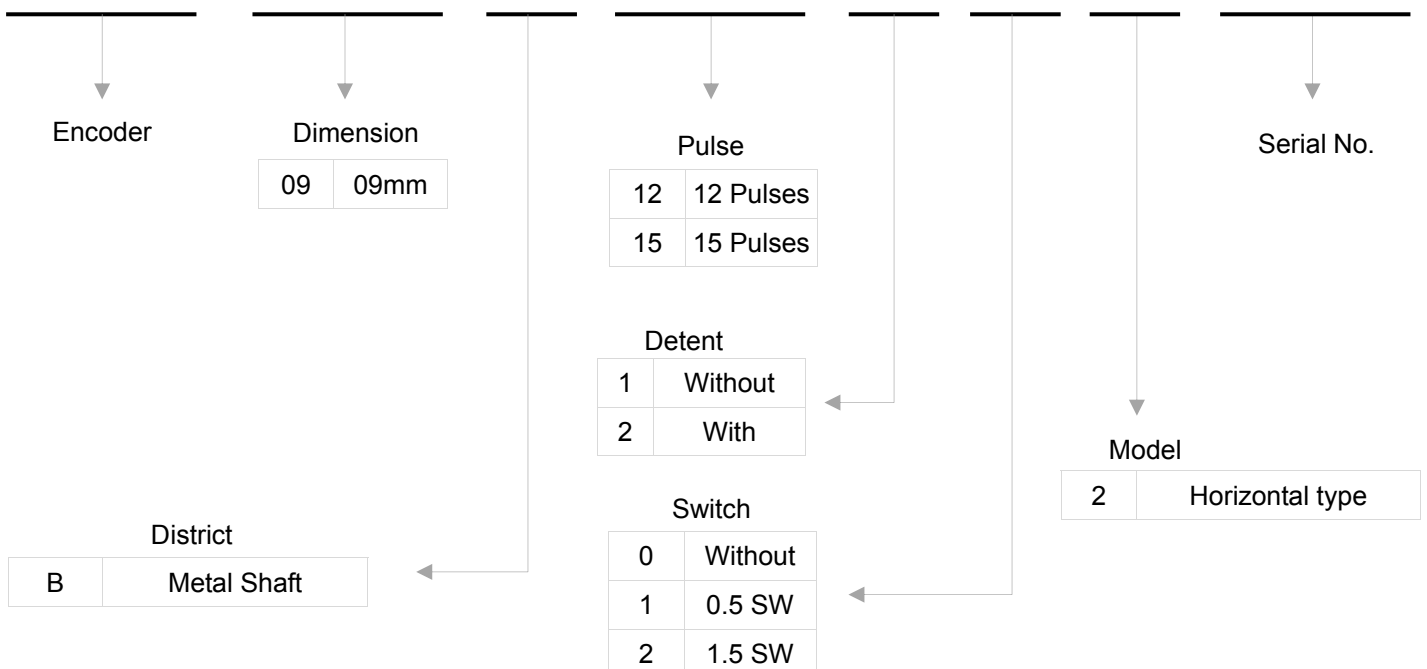
Pulse	Number of detent	Phase difference (msec)	Chattering (msec)	Sliding noise (msec)	Insulation resistance	Dielectric strength	Detent torque (gf · cm)	Rotational life (cycle)
12	0	3	5	5	250V DC 100MΩ MIN	300V AC 1 min	30~200	30,000
	12							
	24							
15	0	3	5	5				
	30							

### ◆ SWITCH SPECIFICATIONS

Rating	Contact resistance	Insulation resistance	Dielectric strength	Contact arrangement	Travel of switch (mm)	Operating force (gf)	Operating life(cycle)
DC 5V10 mA	100 mΩ	250V DC 100MΩ MIN	300V AC 1 min	PUSH ON	0.5	300±200	20,000
					1.5	400±200	

### ◆ PRODUCT NUMBERING SYSTEM

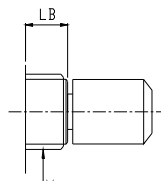
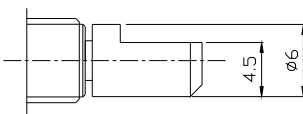
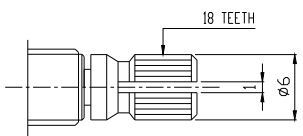
D	C	0	9	B	1	2	2	1	2	0	1
---	---	---	---	---	---	---	---	---	---	---	---



# ENCODER

## 9mm Size Encoder

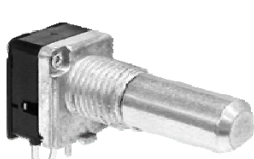
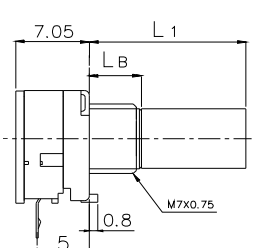
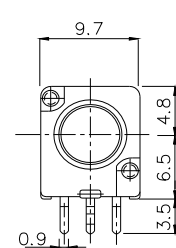
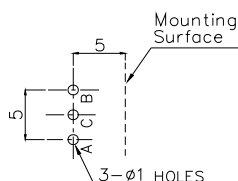
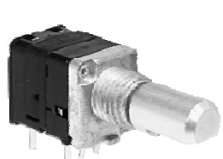
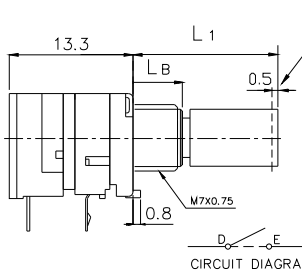
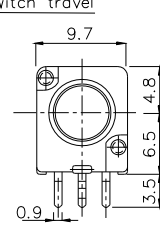
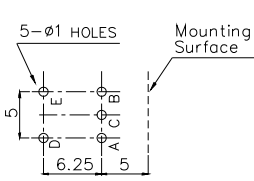
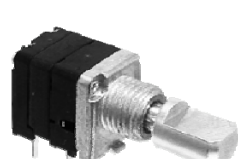
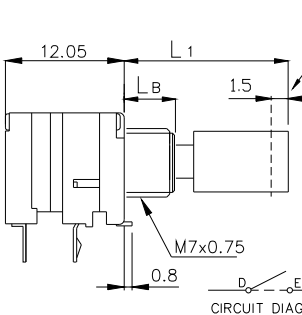
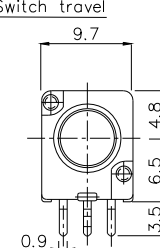
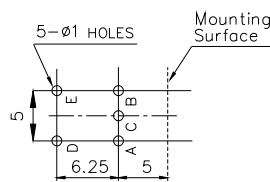
### ◆ BUSHING & SHAFT TYPE

Bushing	Flat	Knurled
		

### ◆ STANDARD DIMENSION OF SHAFT AND BUSHING

Dimension	LB	L1
	5	15
	7	20
	10	25
	10	30

### DIMENSIONS Unit : mm

Model	Dimensions		
<b>DC09B12202</b> horizontal type 			 <p>MOUNTING HOLE DETAIL VIEWED FROM MOUNTING SIDE</p>
<b>DC09B12212</b> horizontal type with push on switch 0.5 	 <p>CIRCUIT DIAGRAM</p>		 <p>MOUNTING HOLE DETAIL VIEWED FROM MOUNTING SIDE</p>
<b>DC09B12222</b> horizontal type with push on switch 1.5 	 <p>CIRCUIT DIAGRAM</p>		 <p>MOUNTING HOLE DETAIL VIEWED FROM MOUNTING SIDE</p>