

# SLIDE POTENTIOMETER

## Super Type



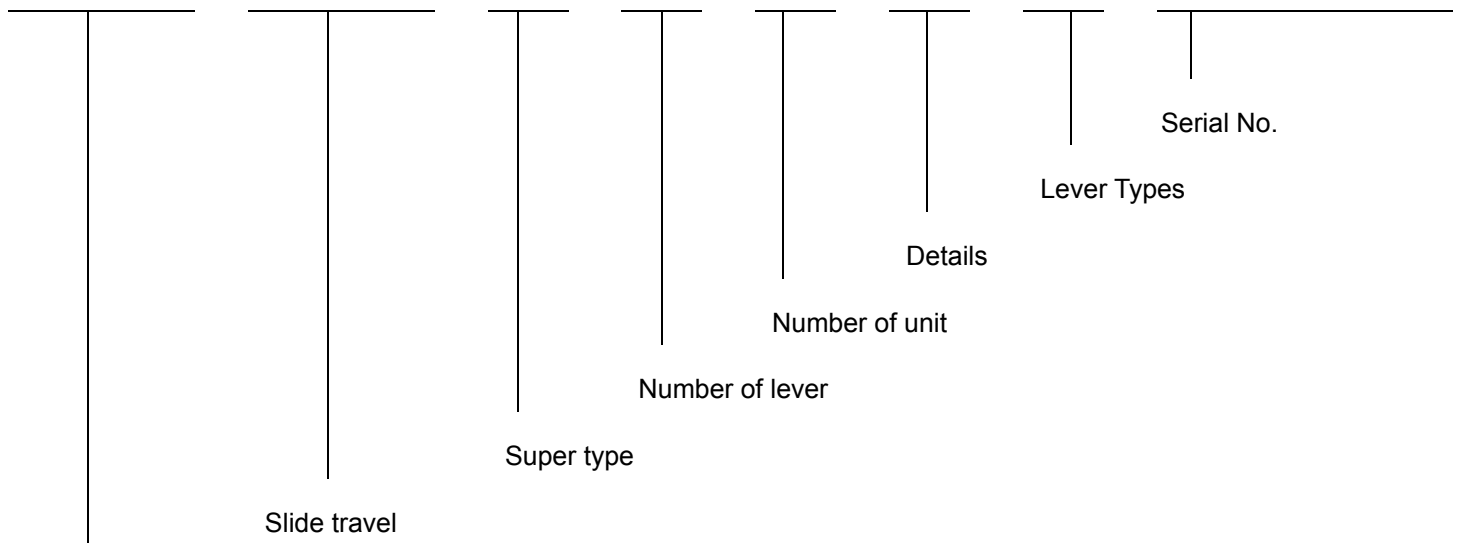
### ◆ FEATURE

- Solder able with auto dipping.
- Snap-in type also available.

### ◆ APPLICATIONS

- Various control applications with general consumer electronics products, in-vehicle equipment and devices, industrial machines, etc.

**R F - 4 5 - 1 - 1 - 2 - G - 6 - 1 0 1**



Slide potentiometer (RF · RS)

Slide travel		Details	
15、20、25、30、45、60、100 (mm)		G	Print terminal
Number of unit		H	Print terminal · with tap
1	Single Gang	K	Print terminal · with Click
2	Dual Gang	L	Print terminal · with tap · with click
		P	Snap-in mounting type

### ◆ COMMON SPECIFICATIONS

Characteristics	Specification	
Operating temperature range	-10°C to +70°C	
Operating force	10 ~ 80 gf	30 ~ 250 gf
Total resistance	5KΩ · 10KΩ · 20 KΩ · 50 KΩ · 100 KΩ · 250 KΩ · 500KΩ	
Total resistance tolerance	±20%	
Resistance taper	A,B,C	
Sliding service life	15,000 cycles	

# SLIDE POTENTIOMETER

## Super Type

### ◆ LEVER TYPES

Unit: mm

Material	Insulated lever								
Lever type	A			C			J		
Dimensions									
Length (L)	10	15	20	10	15	10	15	20	
Lever type	J-1								
Dimensions									
Length (L)	5								

**Note:** The color of the J type lever is black. Red, orange and white are selectable for markers.


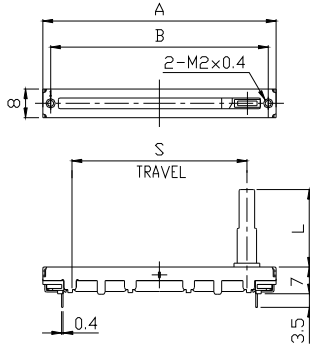
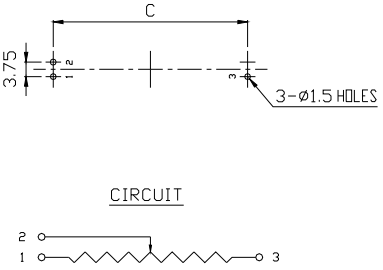
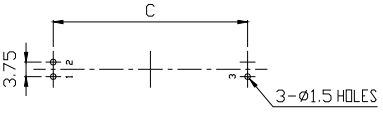
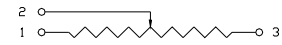

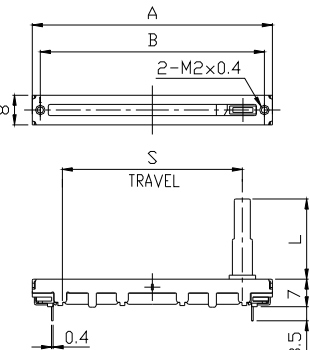
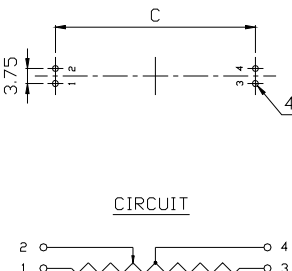
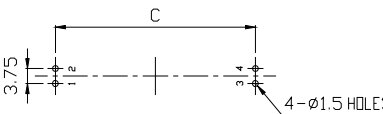

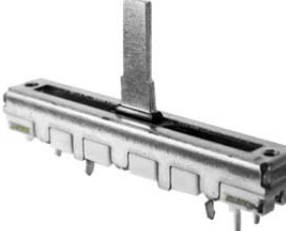
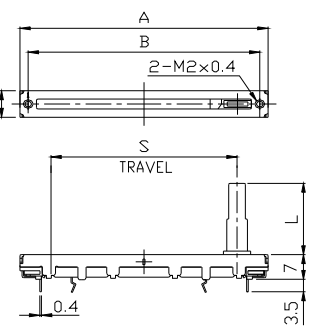
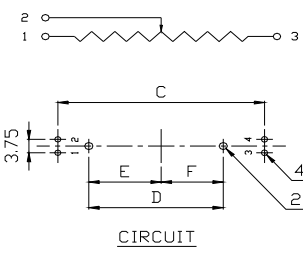
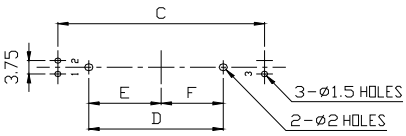
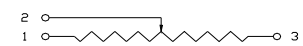
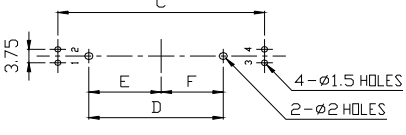
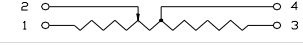
Material	Metal lever												
Lever type	4				6				9-1				
Dimensions													
Length (L)	15	17	18.9	19.1	20	23	25	15	17.2	20	25	10	
Lever type	9-2				9-10				9-F0				
Dimensions													
Length (L)	5				10				10				8.5

# SLIDE POTENTIOMETER

## Super Type

### DIMENSIONS

Unit mm


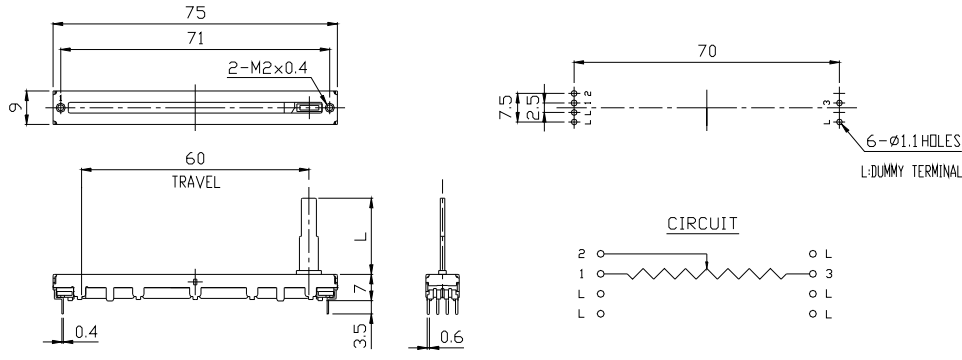

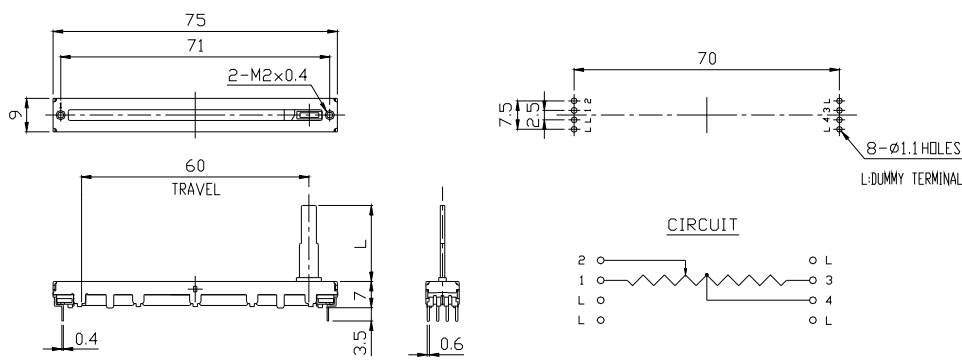

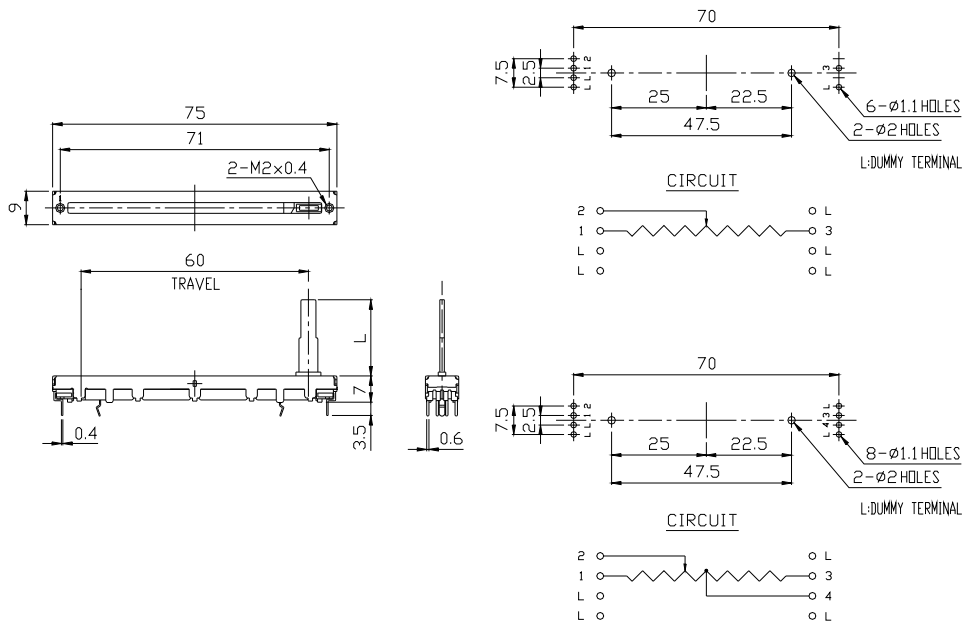
Model	Dimensions						
RF□□111G RF□□111K (Center detent)	  	 <p>CIRCUIT</p> 					
RF□□111H RF□□111L (Center detent)	  	 <p>CIRCUIT</p> 					
RF□□111P	  	 <p>CIRCUIT</p>   <p>CIRCUIT</p> 					
P.C.B Mounting hole detail							
Model	S	A (S+15)	B (S+11)	C (S+5)	D	E	F
RF15111	15	30	26	20			
RF20111	20	35	31	25	12.5	7.5	5
RF25111	25	40	36	30			
RF30111	30	45	41	35	22.5	12.5	10
RF45111	45	60	56	50	32.5	17.5	15

# SLIDE POTENTIOMETER

## Super Type

### DIMENSIONS

Unit: mm

Model	Dimensions
RF6011YG RF6011YK (Center detent) 	 <p>6-<math>\phi</math>1.1 HOLES L-DUMMY TERMINAL</p> <p>CIRCUIT</p>
RF6011YH RF6011YL (Center detent) 	 <p>8-<math>\phi</math>1.1 HOLES L-DUMMY TERMINAL</p> <p>CIRCUIT</p>
RF6011YP 	 <p>6-<math>\phi</math>1.1 HOLES 2-<math>\phi</math>2 HOLES L-DUMMY TERMINAL</p> <p>CIRCUIT</p> <p>8-<math>\phi</math>1.1 HOLES 2-<math>\phi</math>2 HOLES L-DUMMY TERMINAL</p> <p>CIRCUIT</p>

# SLIDE POTENTIOMETER

## Super Type

### DIMENSIONS

Unit: mm

Model	Dimensions	
RF□□112G RF□□112K (Center detent)		
RF□□112H RF□□112L (Center detent)		
RF□□112P		

### P.C.B Mounting hole detail

Model	Dimensions							
	S	A (S+15)	B (S+11)	C (S+10)	D	E	F	
RF15112	15	30	26	25	/	/	/	
RF20112	20	35	31	30	12.5	7.5	5	
RF25112	25	40	36	35	/	/	/	
RF30112	30	45	41	40	22.5	12.5	10	
RF45112	45	60	56	55	32.5	17.5	15	
RF60112	60	75	71	70	47.5	25	22.5	


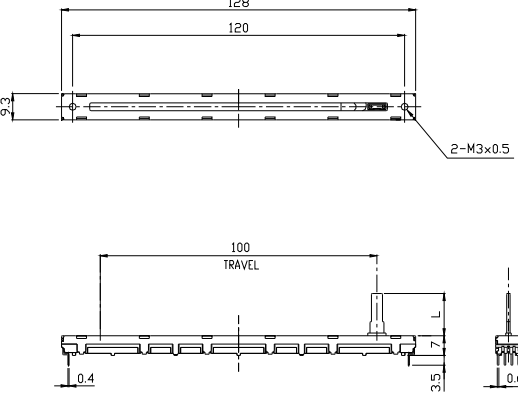
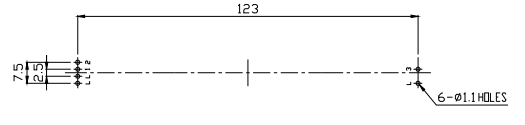
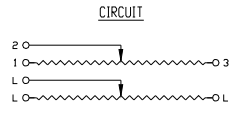

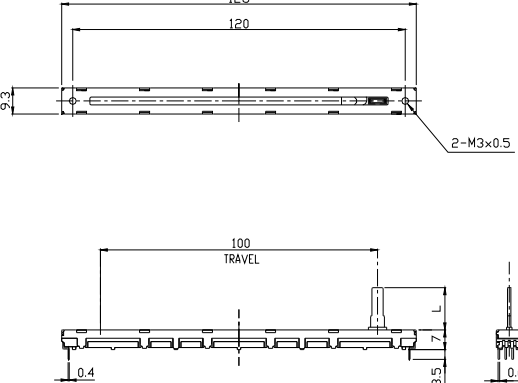
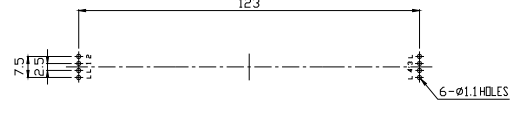
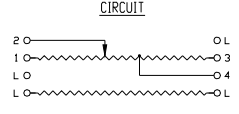

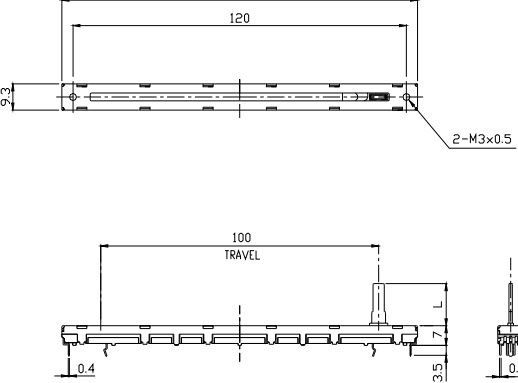
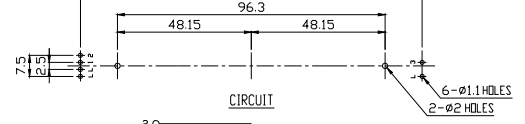
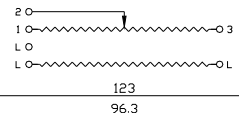
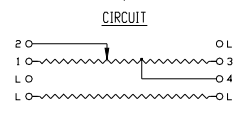

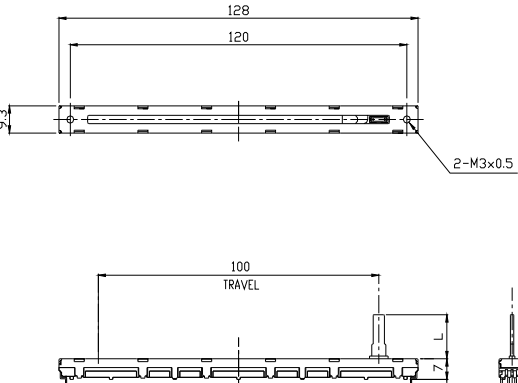

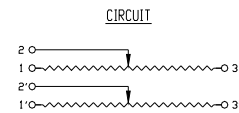
**Note:** The outline dimensions and shape of RF6011Y are the same as those of RF60112

# SLIDE POTENTIOMETER

## Super Type

### DIMENSIONS

Unit: mm

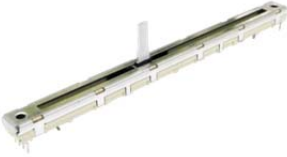
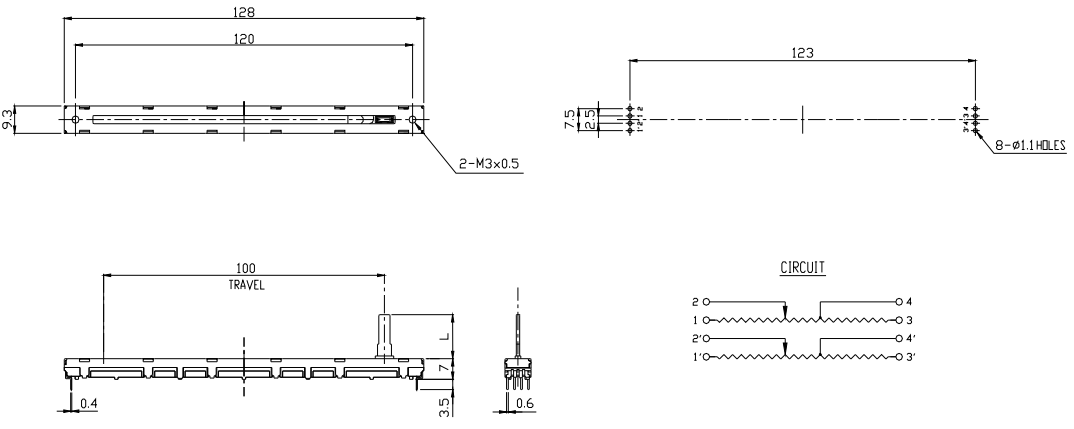

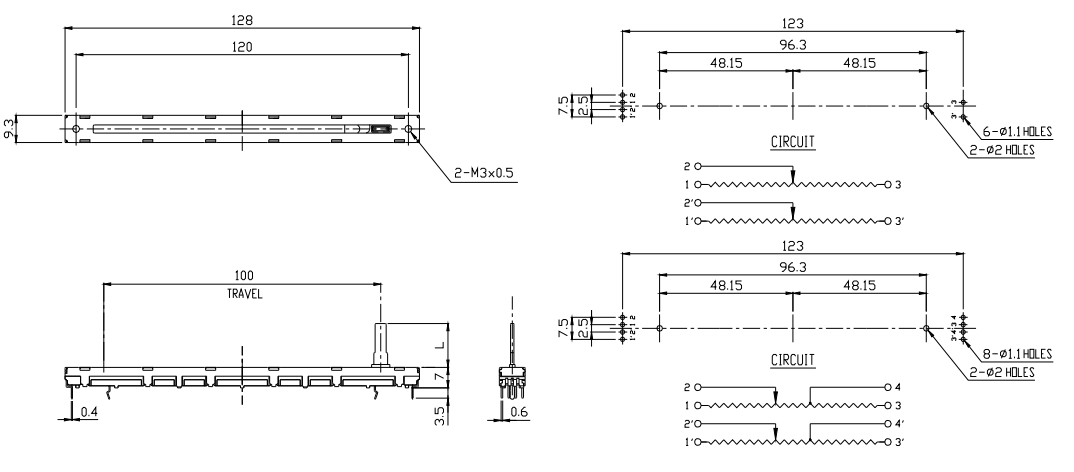
Model	Dimensions	
RFA011YG RFA011YK (Center detent) 		 
RFA011YH RFA011YL (Center detent) 		 
RFA011Y P 		  
RFA0112G RFA0112K (Center detent) 		 

# SLIDE POTENTIOMETER

## Super Type

### DIMENSIONS

Unit: mm

Model	Dimensions
<p>RFA0112H RFA0112L (Center detent)</p> 	
<p>RFA0112P</p> 	

**Note:** The outline dimensions and shape of RFA0111Y are the same as those of RFA0112.