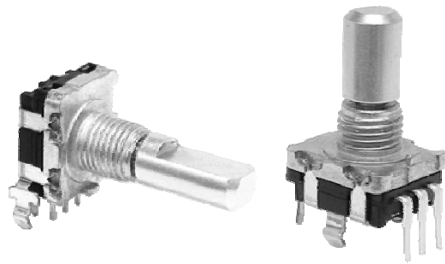


ENCODER

11mm Size Encoder



◆FEATURE

- High-precision rotary type encoder.
- Compact design, long life and high reliability.
- Low cost as compared with optical type.
- Available in a wide variety of line up to meet all user needs.

◆APPLICATIONS

- All kinds of level control, tuning and timer setting in audio-visual equipment, ordinary household electric appliances, radio equipment, communications equipment, etc.

◆ COMMON SPECIFICATIONS

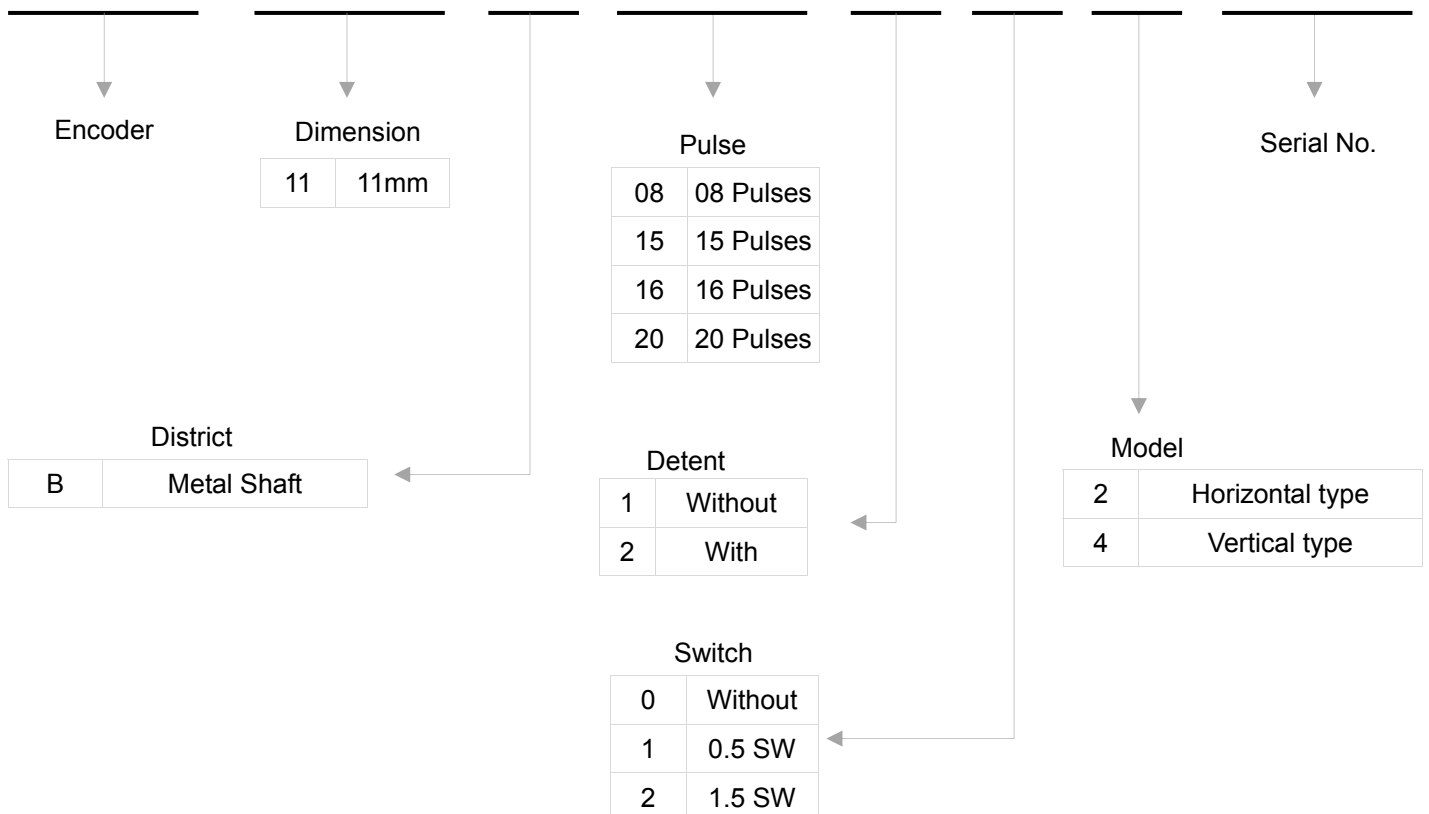
Pulse	Number of detent	Phase difference (msec)	Chattering (msec)	Sliding noise (msec)	Insulation resistance	Dielectric strength	Detent torque (gf · cm)	Rotational life (cycle)
8	0	4	3	3	250V DC 100MΩ MIN	300V AC 1 min	30~200	15,000
	16							
15	0	6	2	2				
	30							
16	0	4	3	3				
	16							
20	0	4	2	2				
	20							

◆ SWITCH SPECIFICATIONS

Rating	Contact resistance	Insulation resistance	Dielectric strength	Contact arrangement	Travel of switch (mm)	Operating force (gf)	Operating life(cycle)
DC 5V10 mA	100 mΩ	250V DC 100MΩ MIN	300V AC 1 min	PUSH ON	0.5	600±300	20,000
					1.5	400±200	

◆ PRODUCT NUMBERING SYSTEM

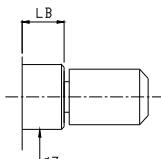
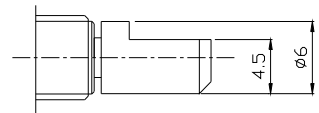
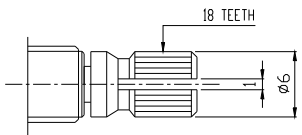
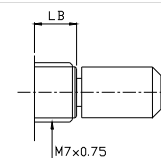
D	C	1	1	B	2	0	2	1	4	0	1
---	---	---	---	---	---	---	---	---	---	---	---



ENCODER

11mm Size Encoder

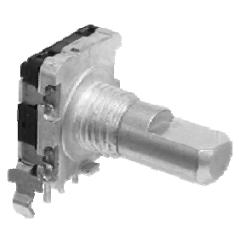
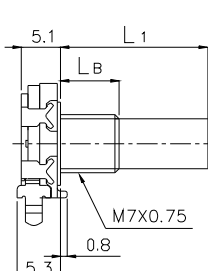
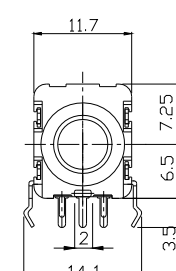
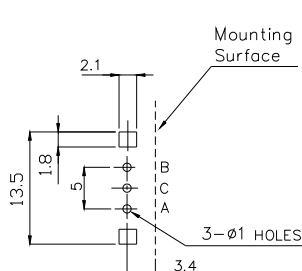
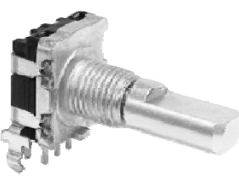
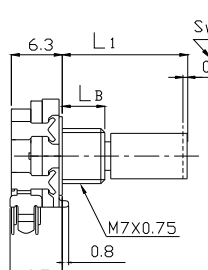
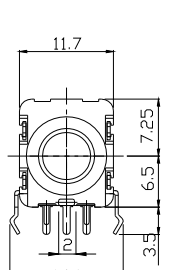
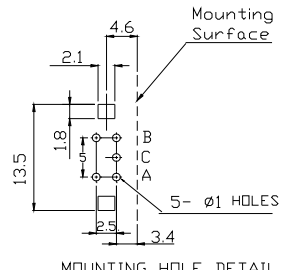
◆ BUSHING & SHAFT TYPE

Bushing	Flat	Knurled
		
		

◆ STANDARD DIMENSION OF SHAFT AND BUSHING

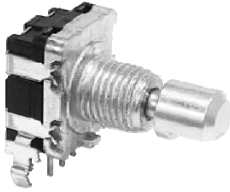
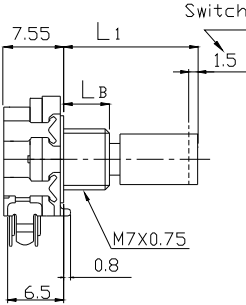
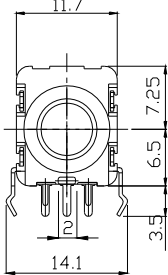
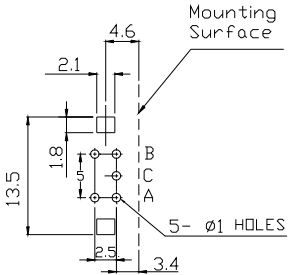
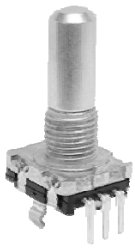
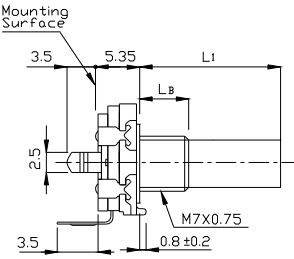
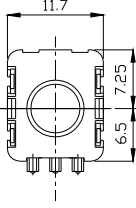
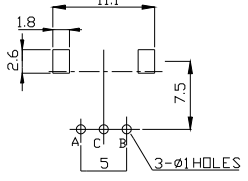
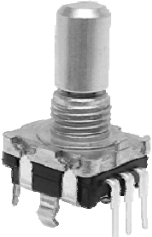
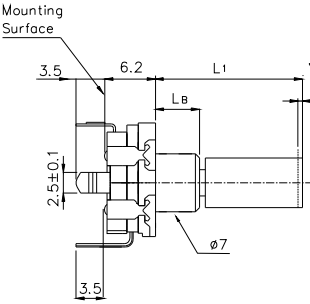
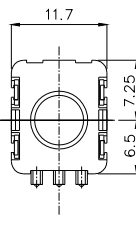
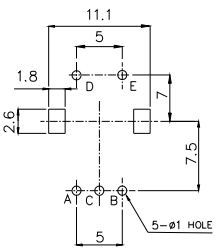
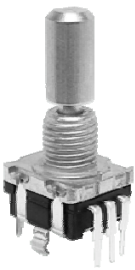
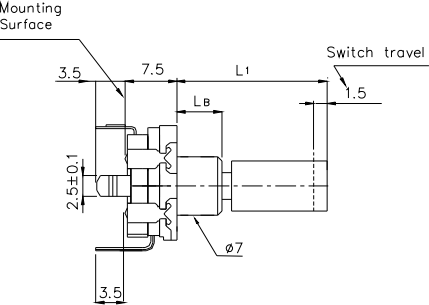
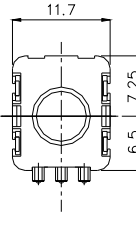
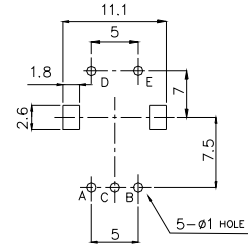
Dimension	LB	L1
	5	15 · 20
	7	20 · 25
	5	15 · 20
	7	20 · 25

DIMENSIONS Unit : mm

Model	Dimensions		
DC11B2020 horizontal type 			 <p>MOUNTING HOLE DETAIL VIEWED FROM MOUNTING SIDE</p>
DC11B20212 with push on switch -0.5mm horizontal type 			 <p>MOUNTING HOLE DETAIL VIEWED FROM MOUNTING SIDE</p>

ENCODER

11mm Size Encoder

Model	Dimensions		
<p>DC11B20222 with push on switch –1.5mm horizontal type</p> 	 <p>7.55 L1 L_B Switch travel 1.5 M7X0.75 0.8 6.5</p>	 <p>11.7 7.25 6.5 3.5 14.1</p>	 <p>Mounting Surface 4.6 2.1 13.5 1.8 5 B C A 5- Ø1 HOLES 2.5 3.4</p> <p>MOUNTING HOLE DETAIL VIEWED FROM MOUNTING SIDE</p>
<p>DC11B20204 vertical type</p> 	 <p>Mounting Surface 3.5 5.35 L1 L_B 2.5 M7X0.75 0.8±0.2 3.5</p>	 <p>11.7 7.25 6.5</p>	 <p>11.1 1.8 2.6 7.5 5 A C B 3-Ø1 HOLES</p> <p>MOUNTING HOLE DETAIL VIEWED FROM MOUNTING SIDE</p>
<p>DC11B20214 with push on switch –0.5mm vertical type</p> 	 <p>Mounting Surface 3.5 6.2 L1 L_B Switch travel 0.5 2.5±0.1 ø7 3.5</p>	 <p>11.7 7.25 6.5</p> <p>D—E CIRCUIT DIAGRAM</p>	 <p>11.1 5 1.8 2.6 7 7.5 5 A C B 5-Ø1 HOLE</p> <p>MOUNTING HOLE DETAIL VIEWED FROM MOUNTING SIDE</p>
<p>DC11B20224 with push on switch –1.5mm vertical type</p> 	 <p>Mounting Surface 3.5 7.5 L1 L_B Switch travel 1.5 2.5±0.1 ø7 3.5</p>	 <p>11.7 7.25 6.5</p> <p>D—E CIRCUIT DIAGRAM</p>	 <p>11.1 5 1.8 2.6 7 7.5 5 A C B 5-Ø1 HOLE</p> <p>MOUNTING HOLE DETAIL VIEWED FROM MOUNTING SIDE</p>