

SLIDE POTENTIOMETER

Low-Profile With Motor Type

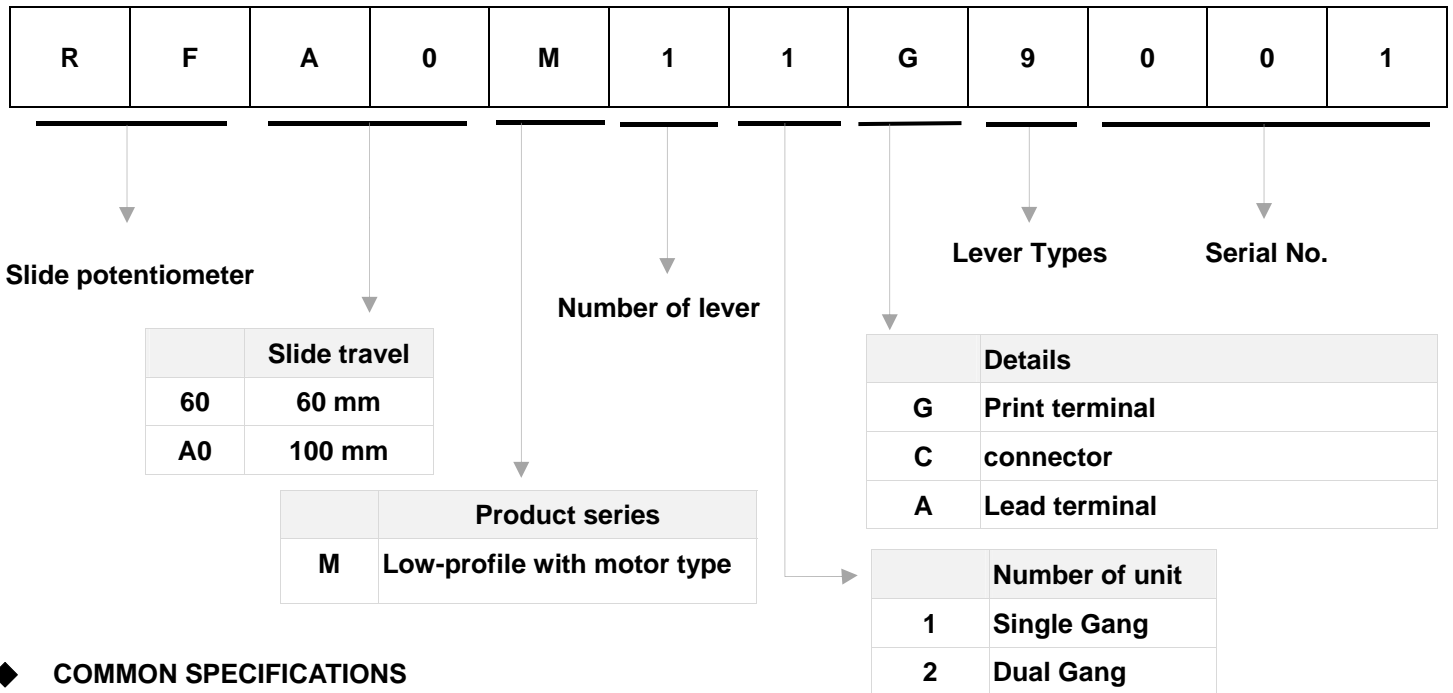


◆ FEATURE

- Programmable and precise slide pattern.
- Touch sensitive lever which enables fader to the slightest physical contact.

◆ APPLICATIONS

- Master volume control in high-grade audio equipment fader for studio mixer, etc.



◆ COMMON SPECIFICATIONS

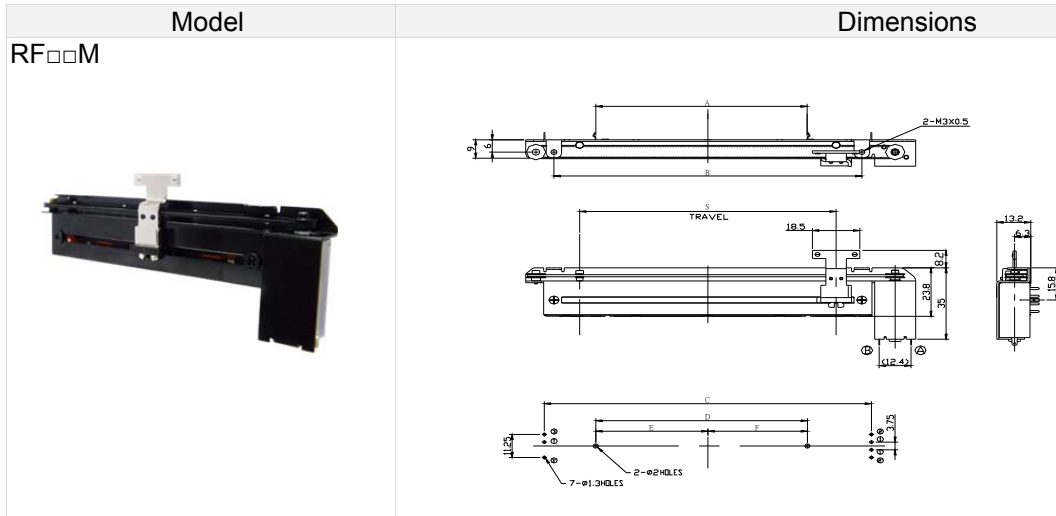
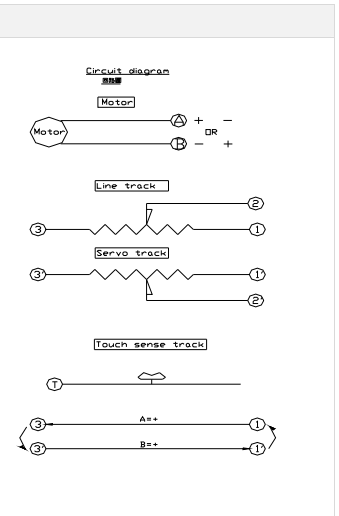
| Characteristics | Specification |
|-----------------------------|--|
| Operating temperature range | -10°C to +70°C |
| Operating force | 20 ~ 130 gf Operating force |
| Stopper strength | 5 Kgf / 10 sec |
| Lever push-pull strength | 5 Kgf / 10 sec |
| Lever wobble (mm) | 2 (2xL/25) (Both sides) |
| Lever deviation (mm) | 0.5 max. (One side) |
| Solder heat resistance | Lower than 260°C for less than 5 seconds |
| Total resistance (KΩ) | 5、10、20、50、100、250、500 |
| Total resistance tolerance | ±20% |
| Resistance taper | A,B,C |
| Insulation resistance | 100MΩ min. 250V DC |
| Voltage proof | 1 minute 250V AC |
| Sliding service life | 50,000 cycles |
| Rated voltage | 10V D.C |
| Maximum current | 400~800mA |

SLIDE POTENTIOMETER

Low-Profile With Motor Type

DIMENSIONS

Unit : mm

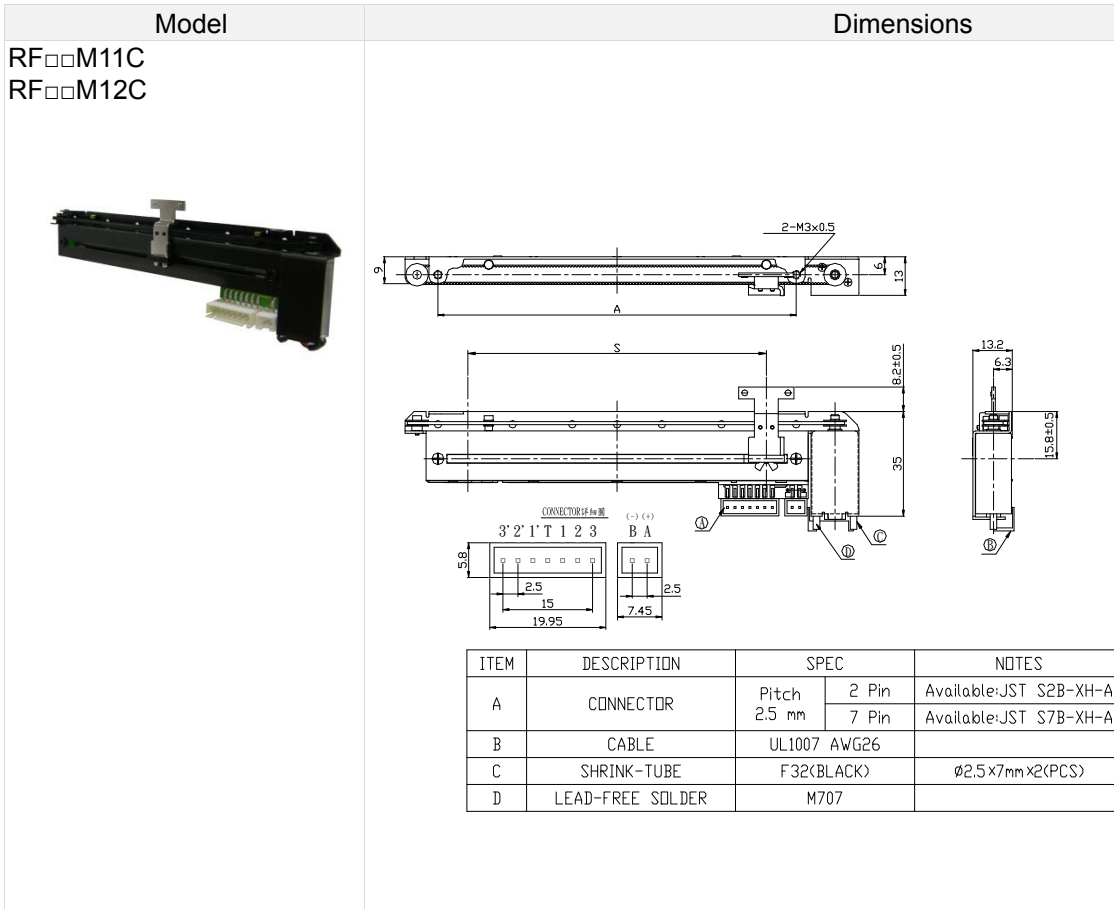
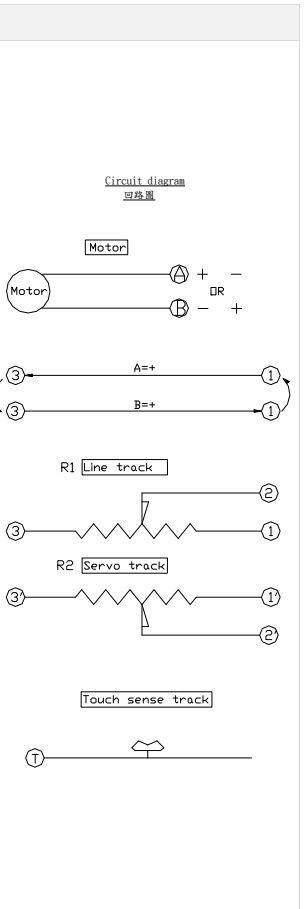
| Model | Dimensions |
|-------|---|
| RF□□M |   |

P.C.B Mounting hole detail

| Model | Dimensions | S | A (S+28) | B (S+20) | C (S+27.5) | D | E | F |
|-------|------------|-----|-------------|-------------|---------------|------|------|------|
| RF60M | | 60 | 51.2 | 80 | 87.5 | 51.7 | | |
| RFA0M | | 100 | 82.35 | 120 | 127.5 | 82.5 | 43.7 | 38.8 |

DIMENSIONS

Unit : mm

| Model | Dimensions |
|----------------------|---|
| RF□□M11C RF□□M12C |   |

| ITEM | DESCRIPTION | SPEC | NOTES |
|------|------------------|--------------|--|
| A | CONNECTOR | Pitch 2.5 mm | 2 Pin Available:JST S2B-XH-A 7 Pin Available:JST S7B-XH-A |
| B | CABLE | UL1007 AWG26 | |
| C | SHRINK-TUBE | F32(BLACK) | φ2.5x7mmx2(PCs) |
| D | LEAD-FREE SOLDER | M707 | |

Dimension of outline

| Model | Dimensions | S | A (S+20) |
|----------|------------|-----|-------------|
| RF60M12C | | 60 | 80 |
| RFA0M12C | | 100 | 120 |