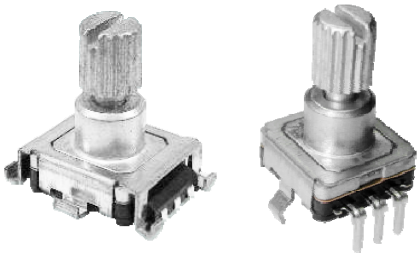


# ENCODER

## 11mm Size Slim Type Encoder



### ◆FEATURE

- Encoder of Surface Mount Device type.
- With push-on switch.

### ◆APPLICATIONS

- Most suitable for all controls of compact and low profile electronic equipment.
- Hi-Fi, CD, Mini Disc and MP3 players, volume, tone and title search controls.
- TV/monitor OSD setting.

### ◆ COMMON SPECIFICATIONS

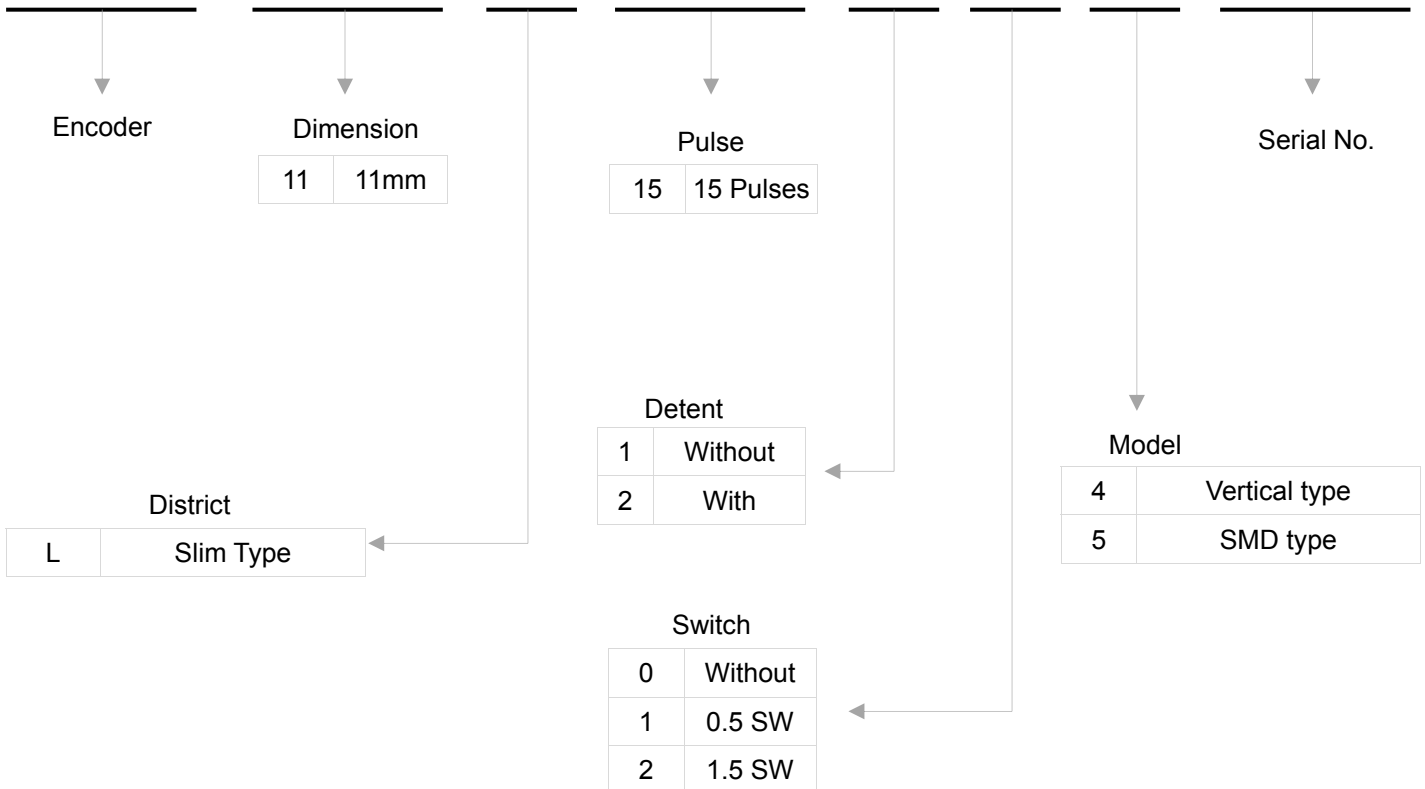
Pulse	Number of detent	Phase difference (msec)	Chattering (msec)	Sliding noise (msec)	Insulation resistance	Dielectric strength	Detent torque (gf · cm)	Rotational life (cycle)
15	0	4	2	2	250V DC 100MΩ MIN	300V AC 1 min	100±70	15,000
	30							

### ◆ SWITCH SPECIFICATIONS

Rating	Contact resistance	Insulation resistance	Dielectric strength	Contact arrangement	Travel of switch (mm)	Operating force (gf)	Operating life(cycle)
DC 5V 10 mA	100 mΩ	250V DC 100MΩ MIN	300V AC 1 min	PUSH ON	0.5	350±100	20,000
					1.5	400±200	

### ◆ PRODUCT NUMBERING SYSTEM

D	C	1	1	L	1	5	2	1	4	0	1
---	---	---	---	---	---	---	---	---	---	---	---



# ENCODER

## 11mm Size Slim Type Encoder

### ◆ STANDARD DIMENSION OF SHAFT AND BUSHING

#### Knurled Type (Zinc Diecast)

Without Switch			0.5mm Switch Stroke			1.5mm Switch Stroke		
L1	LB	L2	L1	LB	L2	L1	LB	L2
9.5	5	4.5	9.5	5	2.9	9.5	5	2.9
			13.5	5	6.9	13.5	5	6.9

#### Knurled Type (Aluminum)

Without Switch			0.5mm Switch Stroke			1.5mm Switch Stroke		
L1	LB	L2	L1	LB	L2	L1	LB	L2
15	5	8	15	5	7	15	5	6
20	7	10	20	7	9	20	7	8

#### FLAT TYPE


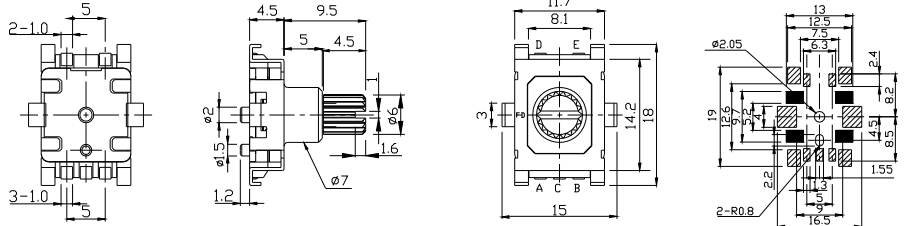

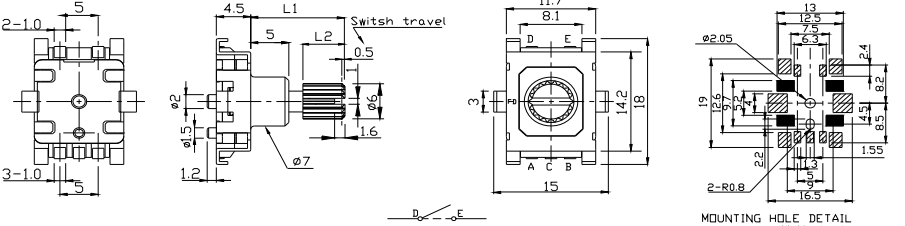

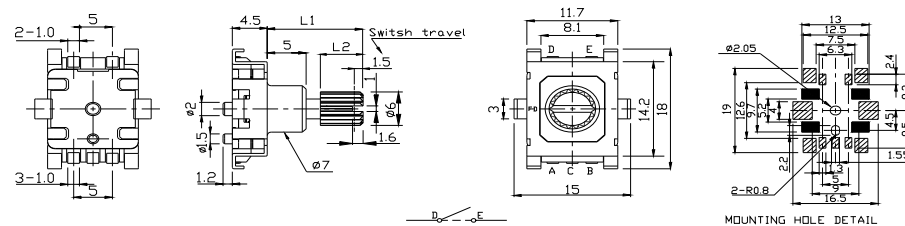
Without Switch			0.5mm Switch Stroke			1.5mm Switch Stroke		
L1	LB	L2	L1	LB	L2	L1	LB	L2
15	5	7	15	5	7	15	5	7
20	7	12	20	7	10	20	7	10

# ENCODER

## 11mm Size Slim Type Encoder

### DIMENSION

Unit : mm

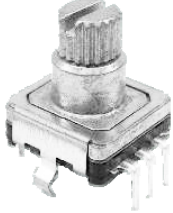
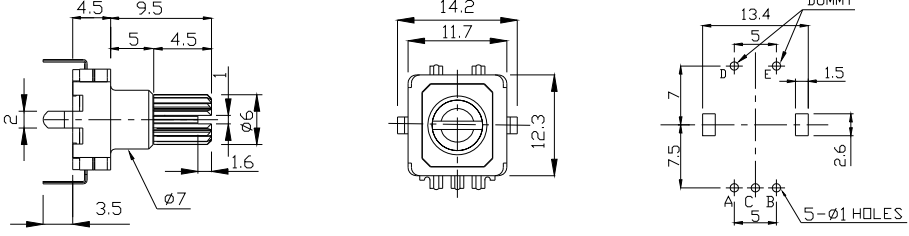
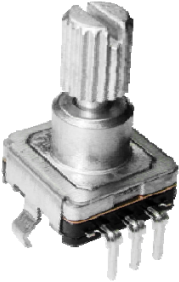
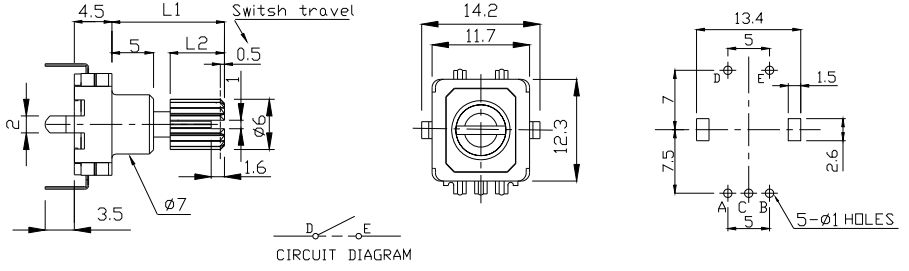
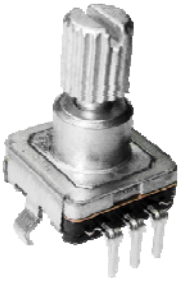
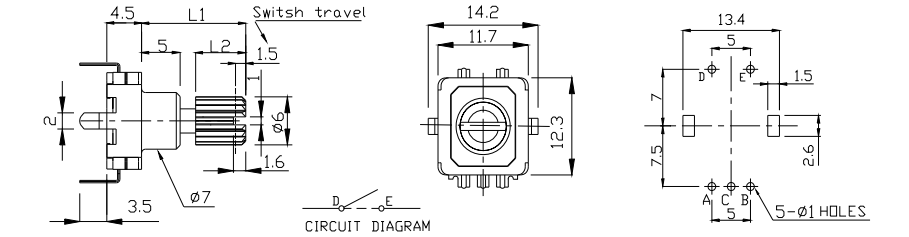
Model	Dimensions
<p>DC11L15205 Vertical type SMD</p> 	 <p>MOUNTING HOLE DETAIL VIEWED FROM MOUNTING SIDE</p>
<p>DC11L15215 with push on switch -0.5SW vertical type</p> 	 <p>MOUNTING HOLE DETAIL VIEWED FROM MOUNTING SIDE</p> <p>CIRCUIT DIAGRAM</p>
<p>DC11L15225 with push on switch-1.5SW vertical type</p> 	 <p>MOUNTING HOLE DETAIL VIEWED FROM MOUNTING SIDE</p> <p>CIRCUIT DIAGRAM</p>

# ENCODER

## 11mm Size Slim Type Encoder

### DIMENSION

Unit : mm

Model	Dimensions
<p><b>DC11L15204</b> vertical type</p> 	
<p><b>DC11L15214</b> with push on switch-0.5SW vertical type</p> 	 <p>CIRCUIT DIAGRAM</p>
<p><b>DC11L15224</b> with push on switch -1.5SW vertical type</p> 	 <p>CIRCUIT DIAGRAM</p>