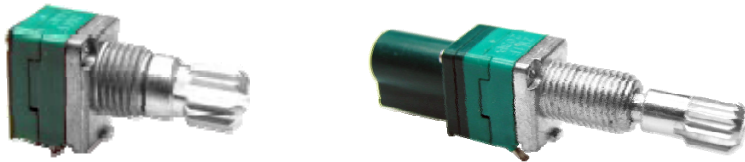


ROTARY SENSORS

9mm Size Metal Shaft Potentiometers



◆ FEATURE

- Very small, only 9.5mm wide.
- Compact design. 6.5mm and 10mm high from P.C. board to shaft center.
- Outset molding with resin around the resistor prevents flux build-up.

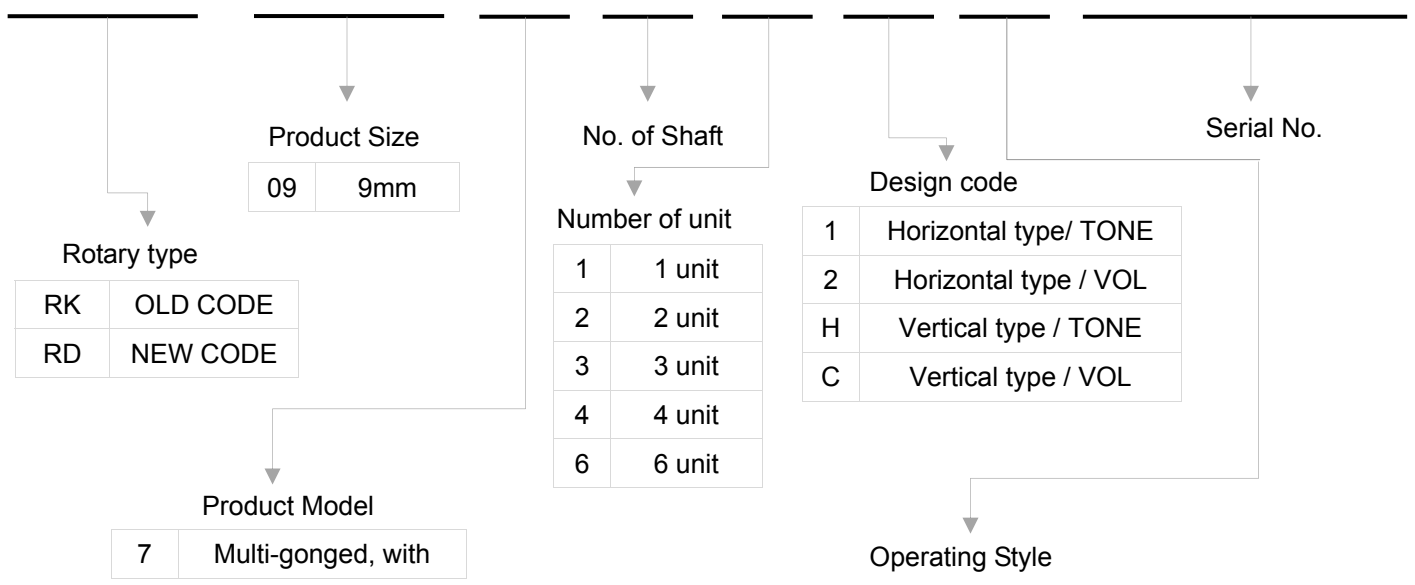
◆ APPLICATIONS

Ideal for volume, tone and balance control of car audio equipment.

◆ COMMON SPECIFICATIONS

Characteristics		Specification
Total rotational angle	General	300±5°
	Shaft moving type	300+10°/-5°
Rotational torque		20~250gf.cm
Detent torque	center detent	Rotational torque+ (30~200) gf.cm
	11.31.41 detent	30~200gf.cm
Total resistance (KΩ)		5.10.20,50,100,250.500
Total resistance tolerance		±20%
Rated power		0.05W
Resistance taper		A,B,C,D,E,K,W,RD,M,N
Maximum operating Voltage		50V AC 10V DC
Rotation life		15,000 cycles
Push lock mechanism operating life		10,000 cycles

R	D	0	9	7	1	2	2	0	0	0	1
---	---	---	---	---	---	---	---	---	---	---	---

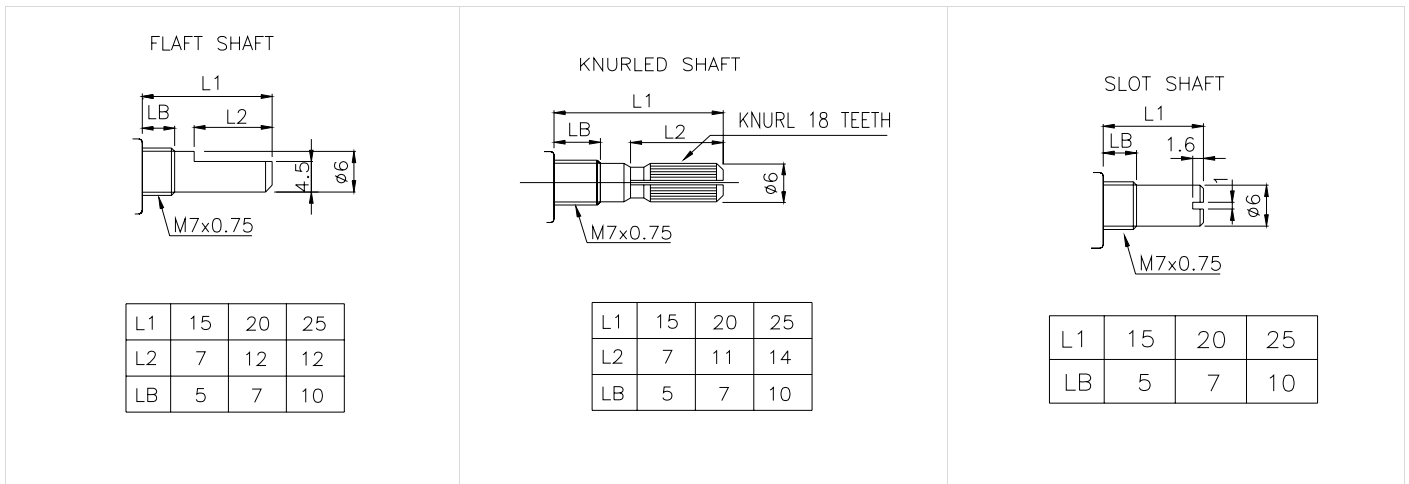


Without switch		With switch	
A	Center detent	1	Rotary switch
B	11 detent	2	Push-push switch
C	31 detent	4	Push-on momentary switch
D	41 detent		
P	Attaching plate		
T	Push lock		

ROTARY POTENTIOMETERS

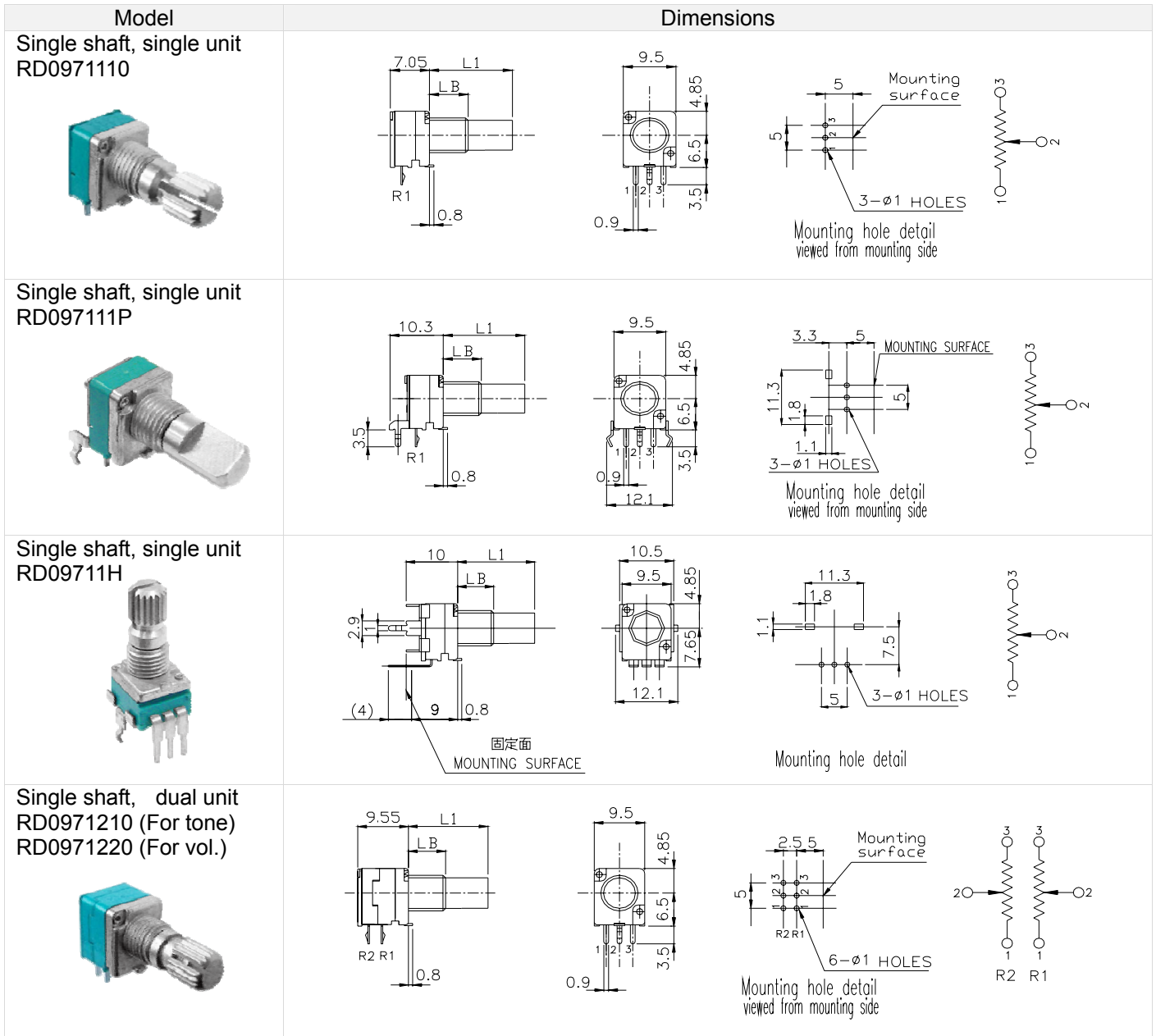
9mm Size Metal Shaft Potentiometers

◆ DIMENSIONS OF SHAFT



◆ DIMENSIONS

Unit: mm

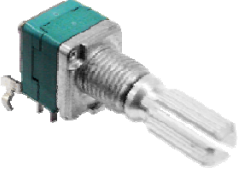
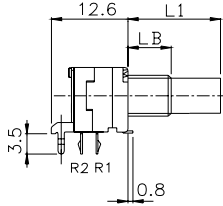
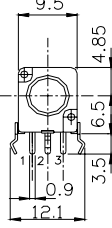
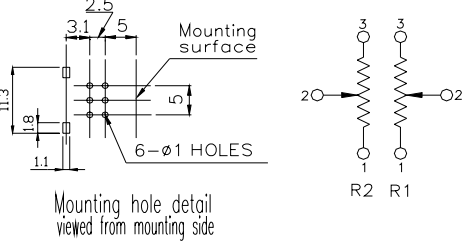

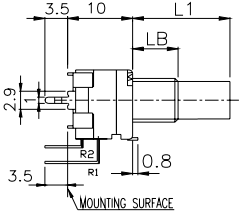
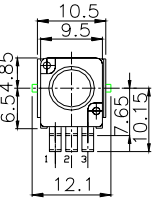
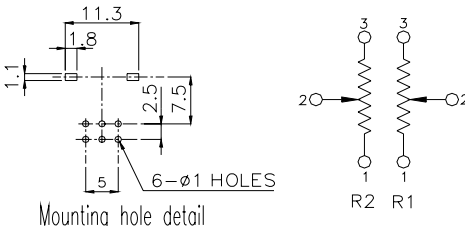
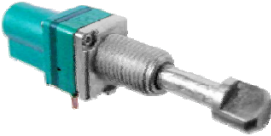
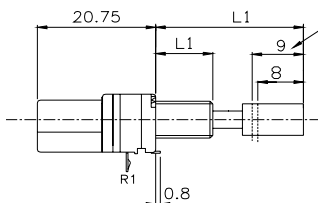
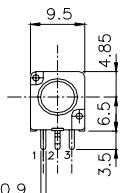
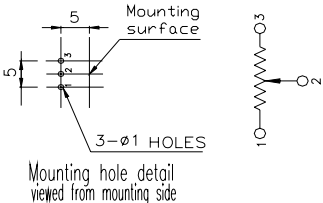
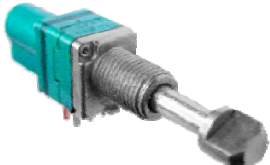
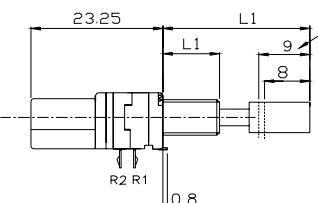
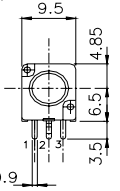
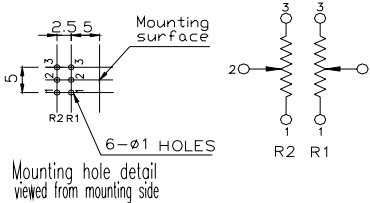
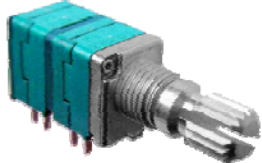
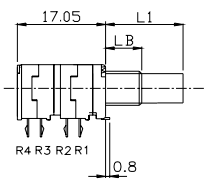
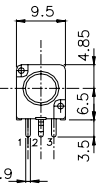
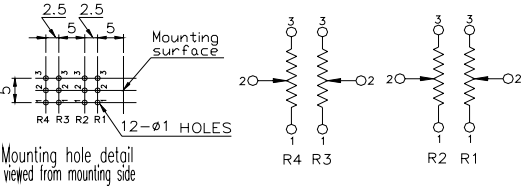
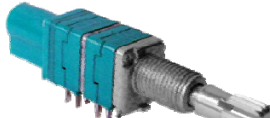
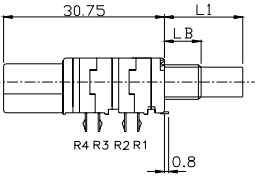
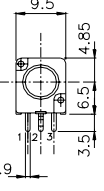
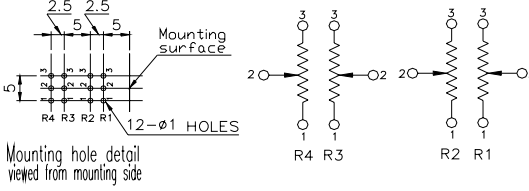


ROTARY POTENTIOMETERS

9mm Size Metal Shaft Potentiometers

◆ DIMENSIONS

Unit: mm

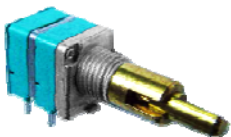
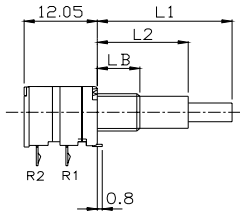
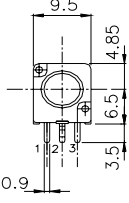
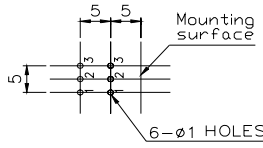
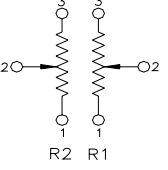
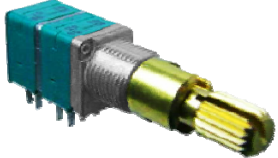
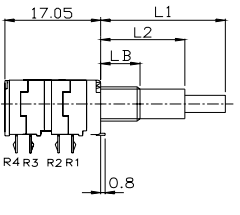
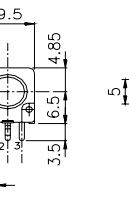
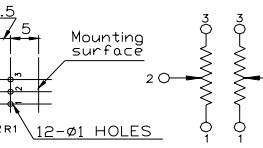
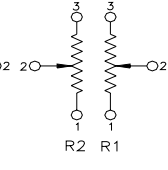
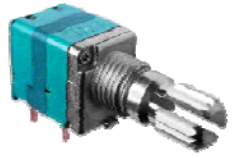
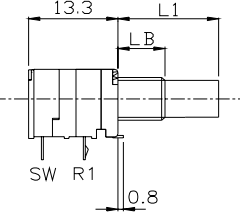
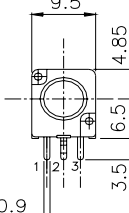
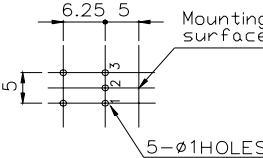
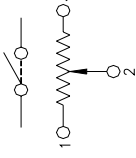
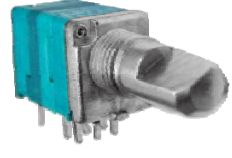
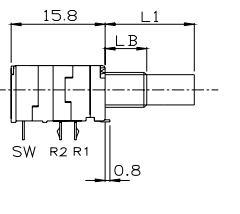
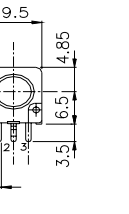
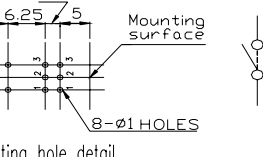
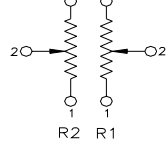
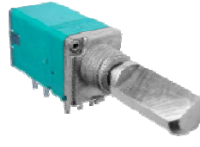
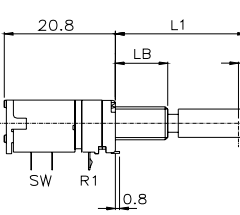
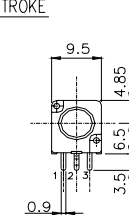
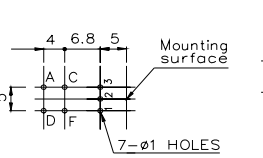
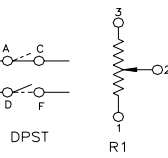
Model	Dimensions		
Single shaft, dual unit RD097121P (For tone) RD097122P (For vol.) 			
Single shaft, dual unit RD097121H (For tone) RD097121C (For vol.) 			
Single shaft, single unit With push-lock mechanism RD097111T 			
Single shaft, single dual With push-lock mechanism RD097121T (for tone) RD097122T (For vol.) 			
Single shaft, quad unit RD0971410 (For tone) RD0971420 (For vol.) 			
Single shaft, quad unit With push-lock mechanism RD097141T (For tone) RD097142T (For vol.) 			

ROTARY POTENTIOMETERS

9mm Size Metal Shaft Potentiometers

◆ DIMENSIONS

Unit: mm

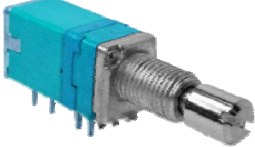
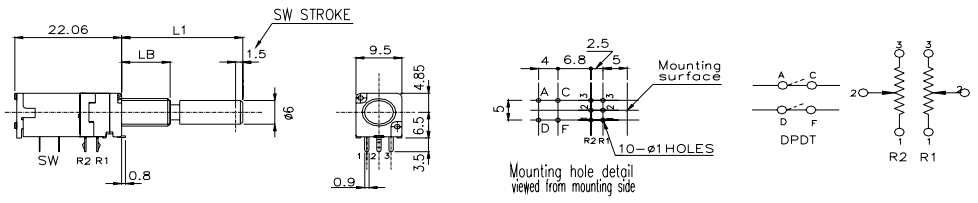
Model	Dimensions			
Dual shaft, dual unit RD097221 			 <p>Mounting hole detail viewed from mounting side</p>	
Dual shaft, quad unit RD0972410 (For tone) RD0972420 (For vol.) 			 <p>Mounting hole detail viewed from mounting side</p>	
Single shaft, single unit Rotary type - switch RD0971111-5R1211(SPST) 			 <p>Mounting hole detail viewed from mounting side</p>	
Single shaft, dual unit Rotary type - switch RD0971211-5R1211(SPST) RD0971221-5R1211(SPST) 			 <p>Mounting hole detail viewed from mounting side</p>	
Single shaft, single unit Push-push type - switch RD0971112-5R2412(SPDT) -5R2421 (DPST) 			 <p>Mounting hole detail viewed from mounting side</p>	

ROTARY POTENTIOMETERS

9mm Size Metal Shaft Potentiometers

◆ DIMENSIONS

Unit: mm

Model	Dimensions		
<p>Single shaft, dual unit Push-push type - switch RD0971212-5R2412(SPDT) -5R2421 (DPST)</p> 			
<p>Single shaft, single unit Momentary push on type - switch Travel 1.5mm RD0971114-5R4611</p> 