

ENCODER

20mm Size Knob Type Encoder



◆ FEATURE ◆ APPLICATIONS

- Provides high-level operation feeling.
- With push-on switch
- Compact and slim
- Long life and high reliability
- Most suitable for all controls of compact and low profile electronic equipment.
- Air conditioners, flat panel TV, remote controllers and various electronics.

◆ COMMON SPECIFICATIONS

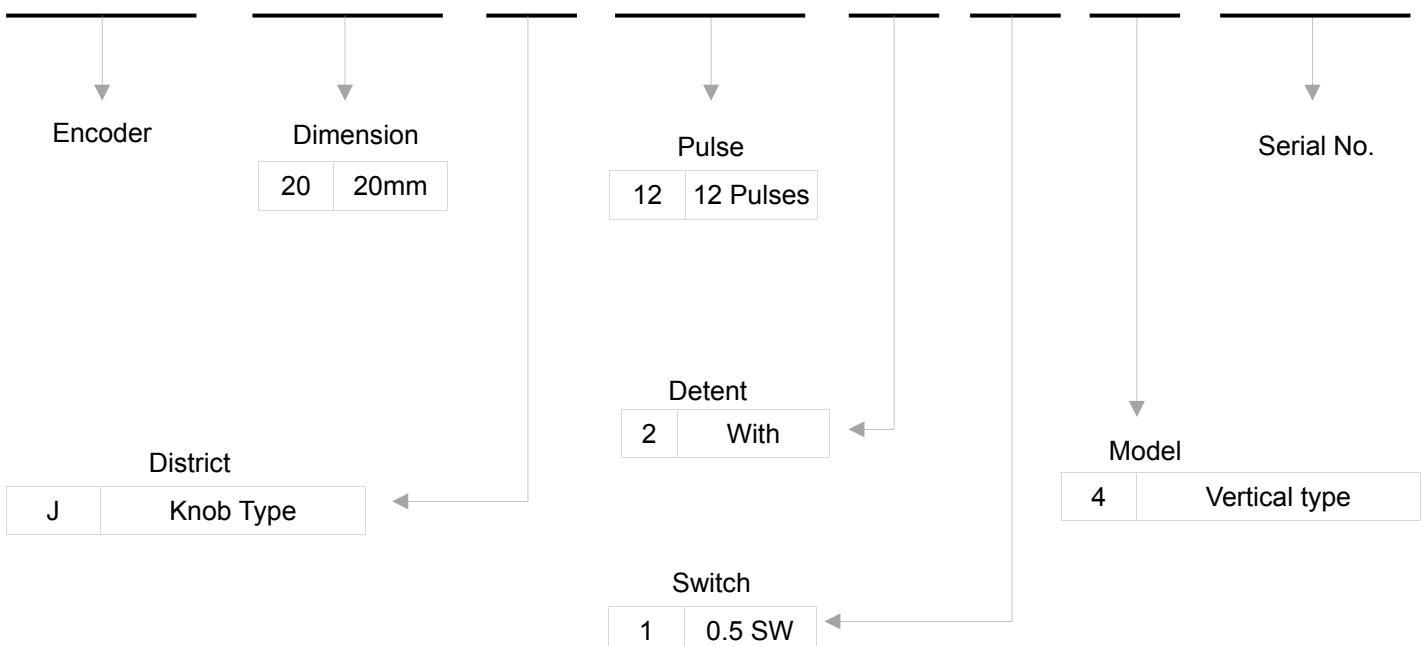
Pulse	Number of detent	Phase difference (msec)	Chattering (msec)	Sliding noise (msec)	Insulation resistance	Dielectric strength	Detent torque (gf · cm)	Rotational life (cycle)
12	24	4	5	3	100V DC 100MΩ MIN.	100V AC 1 min	60 Max	100,000

◆ SWITCH SPECIFICATIONS

Rating	Contact resistance	Insulation resistance	Dielectric strength	Contact arrangement	Travel of switch (mm)	Operating force (gf)	Operating life (cycle)
DC 5V 10 mA	300 mΩ	250V DC 100MΩ MIN	300V AC 1 min	PUSH ON	0.3	220±50	1,000,000

◆ PRODUCT NUMBERING SYSTEM

D	C	2	0	J	1	2	2	1	4	0	1
---	---	---	---	---	---	---	---	---	---	---	---


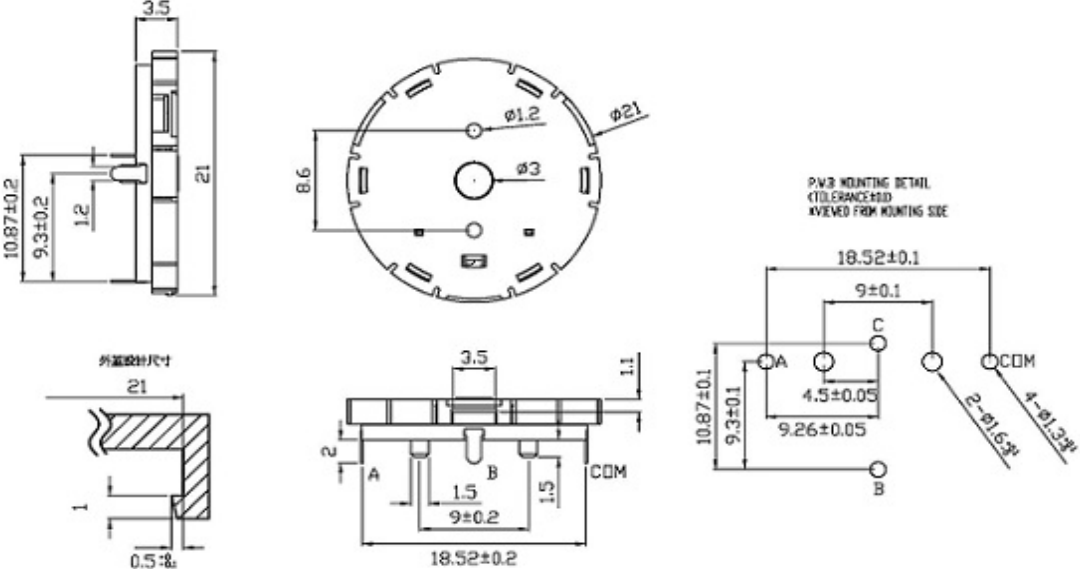


ENCODER

20mm Size Knob Type Encoder

DIMENSION

Unit : mm

Model	Dimensions
 <p>DC20J12214</p>	 <p>Technical drawings of the DC20J12214 encoder showing dimensions and mounting details:</p> <ul style="list-style-type: none">Side View (Top): Shows a total height of 10.87 ± 0.2 mm, a mounting hole diameter of 9.3 ± 0.2 mm, a distance of 12 mm from the top to the mounting hole, and a diameter of 21 mm.Top View: Shows a circular face with a diameter of $\phi 21$ mm, a central hole of $\phi 3$ mm, and a distance of 8.6 mm from the center to the edge.Side View (Bottom): Shows a diameter of 21 mm, a distance of 1 mm from the bottom to the mounting hole, and a diameter of 0.5 ± 0.05 mm.Bottom View: Shows a diameter of 18.52 ± 0.2 mm, a distance of 2 mm from the center to the edge, a distance of 1.5 mm from the center to the mounting hole, a distance of 9 ± 0.2 mm between mounting holes, a distance of 1.5 mm from the center to the CDM hole, and a distance of 1.1 mm from the center to the CDM hole.PWB Mounting Detail: Shows a PCB mounting detail with dimensions: 18.52 ± 0.1 mm total width, 9 ± 0.1 mm between mounting holes, 10.87 ± 0.1 mm total height, 9.3 ± 0.1 mm mounting hole diameter, 4.5 ± 0.05 mm distance from center to mounting hole, 9.26 ± 0.05 mm distance from center to CDM hole, and a CDM hole diameter of $2 - \phi 1.6 \pm 0.05$ mm. The CDM hole is located $4 - \phi 1.3 \pm 0.05$ mm from the edge.