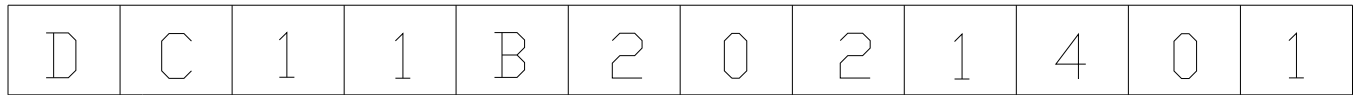


ENCODER

Products Numbering System



ENCODER

Dimension

09	09mm
10	10mm
11	11mm
12	12mm
15	15mm

Pulse

03	03 Pulses
08	08 Pulses
10	10 Pulses
12	12 Pulses
15	15 Pulses
16	16 Pulses
20	20 Pulses
24	24 Pulses

Switch

0	Without
1	0.5 SW
2	1.5 SW

Detent

1	Without
2	With

District

B	Metal Shaft
F	Mouse Encoder
G	Insulated Shaft With Bushing
H	Hollow Shaft
J	Knob Type
K	Insulated Shaft
L	Slim Type

Model

1	Hollow Horizontal type
2	Horizontal type
3	Hollow Vertical type
4	Vertical type
5	SMD type

No.

ENCODER

15mm Size Hollow Shaft Type Encoder



◆Features

- Dimensions : 15mm×15mm×4.55mm
- Available for reflow soldering

◆Applications


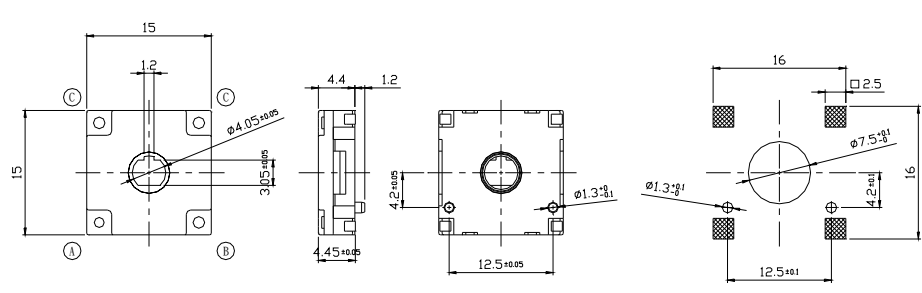
- For control of home equipment.

◆Common Specifications

Pulse	Number of detent	Phase difference (msec)	Chattering (msec)	Sliding noise (msec)	Insulation resistance	Dielectric strength	Torque (gf · cm)	Rotational life (cycle)
3	—	14	8	8	50V DC 10MΩ MIN	50V AC 1 min	40gf.cm MAX	10,000

◆Dimension

Unit : mm

Model	Dimensions
DC15L0310301 SMD type 	 <p><i>P.C.B. TERMINAL POSITION</i> (P.C.B端子参考位置)</p>