

ROTARY POTENTIOMETERS

12mm Size Snap-in Insulated Shaft Potentiometers



◆Applications

- Various potentiometers for radios, radios-cassette recorders, amplifier-mixers, etc

◆Features

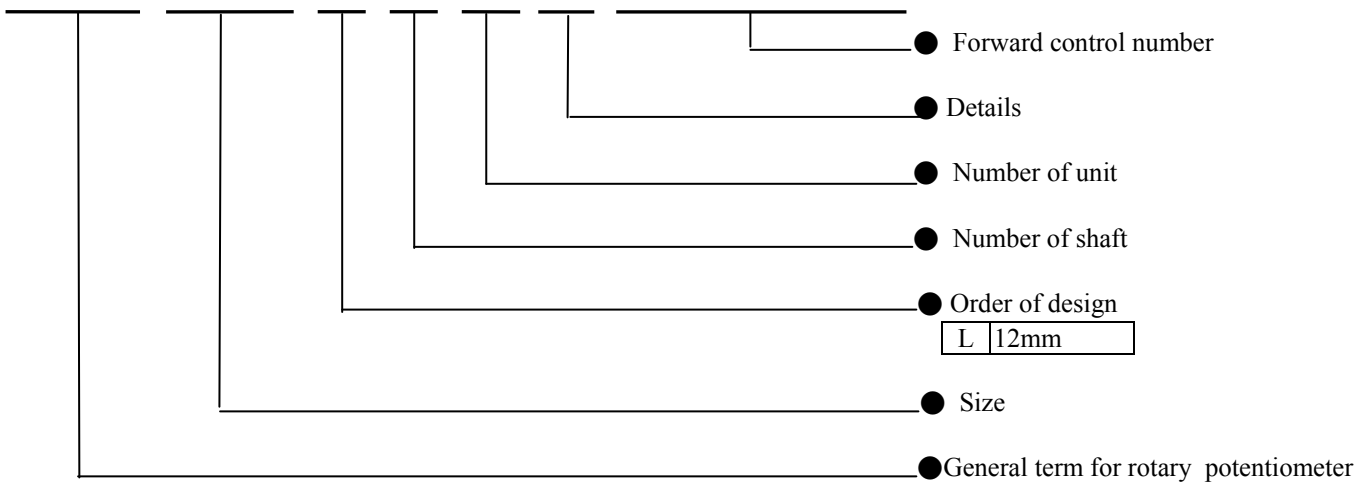
- Insert-molding with resin applied around the resistor assures high flux resistance.
- Since a variety of types are available, they can be used for a wide range of products including audio equipment.
- Units can be provided with bushing, tap and detent

◆Common specifications

Application	12mm size Dual-unit
Total Rotational angle	300±5°
Operating torque	30~200gf-cm
Bushing nut tightening strength	10Kgf-cm min.
Total resistance (KΩ)	5,10,20,50,100,250,500
Total resistance Tolerance	±20%
Resistance taper	A, B, C, D, E, K, M, N, W
Power rating	0.05W
Max operating Voltage	50V A.C For A.C only
Rotational Life	15,000 cycles

◆Products Numbering System

R	D	1	2	L	1	2	A	0	0	0	1
---	---	---	---	---	---	---	---	---	---	---	---



RD | New code

ROTARY POTENTIOMETERS

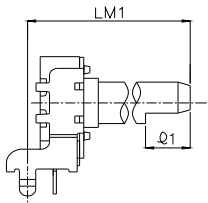
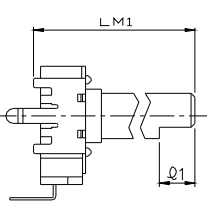
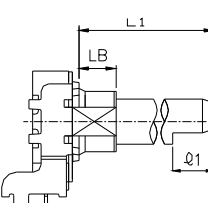
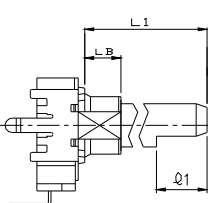
12mm Size Snap-in Insulated Shaft Potentiometers

◆Products Line

Size (mm)	Type	Type	Model	Bushing	Center Detent	Center Tap	Mounting Height (mm)	Applications	For DC Use
12	Dual-unit	Horizontal	RD12L121	—	✓	—	10, 12.5	Tone control	—
			RD12L122	✓	✓	—			
		Vertical	RD12L123	—	✓	—	—		
			RD12L124	✓	✓	—			
		Horizontal	RD12L12A	—	✓	—	10, 12.5	Volume control	
			RD12L12B	✓	✓	—			
		Vertical	RD12L12C	—	✓	—	—		
			RD12L12D	✓	✓	—			

◆Shaft type

unit: mm


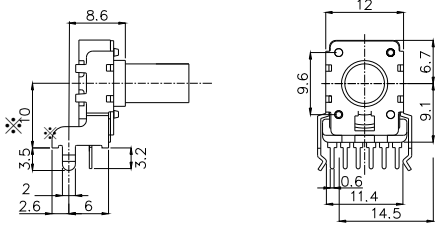
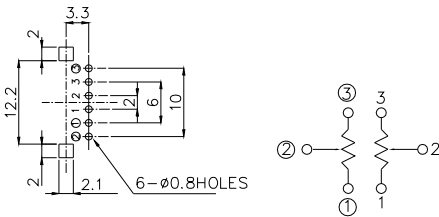

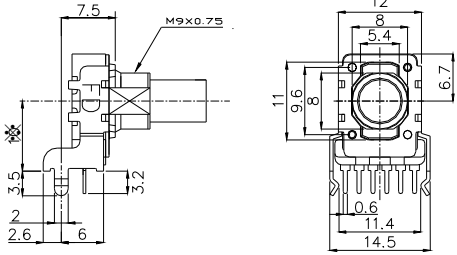
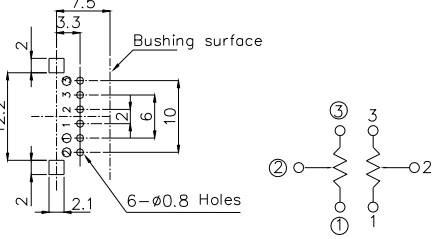

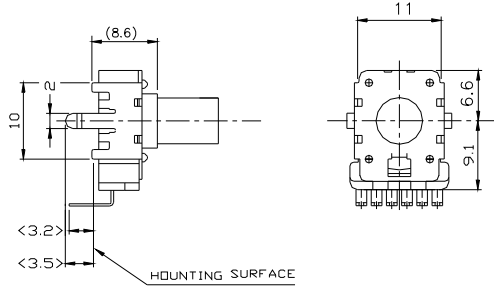
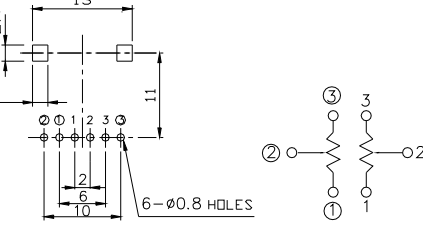

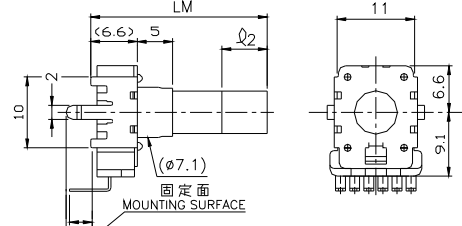
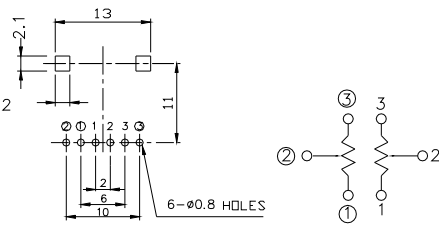
Application		Without Bushing					With Bushing							
		Horizontal		Vertical			Horizontal				Vertical			
														
Dual-unit	Flat type	LM1	15	20	25	30	L1	12.5	15	17.5	20	22.5	25	30
		Q1	4.5	7	12	12	Q1	7	7	12	12	12	12	12
		-	-	-	-	-	LB	5	5	5	5	5	5	5
	Knurl type	LM1	15	20	25	30	L1	12.5	15	27.5	20	22.5	25	30
		Q1	-	7	12	12	Q1	7	7	7	12	12	12	12
		-	-	-	-	-	LB	5	5	5	5	5	5	5

ROTARY POTENTIOMETERS

12mm Size Snap-in Insulated Shaft Potentiometers

◆Dimensions

Unit: mm

Model	Dimensions	Mounting hole details																					
RD12L121 RD12L12A 	 <p>※Available mounting height(H):12.5mm</p>																						
RD12L122 RD12L12B 	 <p>※Available mounting height(H):12.5mm</p>																						
RD12L123 RD12L12C 																							
RD12L123Z RD12L12CZ 	 <table border="1" data-bbox="624 1576 911 1659"> <thead> <tr> <th rowspan="2">Shaft type</th> <th colspan="3">Flat type</th> <th colspan="3">Knurl type</th> </tr> <tr> <th>LM</th> <th>20</th> <th>25</th> <th>30</th> <th>20</th> <th>25</th> <th>30</th> </tr> </thead> <tbody> <tr> <td>ø2</td> <td>7</td> <td>12</td> <td>12</td> <td>7</td> <td>12</td> <td>12</td> </tr> </tbody> </table>	Shaft type	Flat type			Knurl type			LM	20	25	30	20	25	30	ø2	7	12	12	7	12	12	
Shaft type	Flat type			Knurl type																			
	LM	20	25	30	20	25	30																
ø2	7	12	12	7	12	12																	
RD12L124 RD12L12D 