

SLIDE SENSOR

Thin 45mm Magnetic Slide Sensor



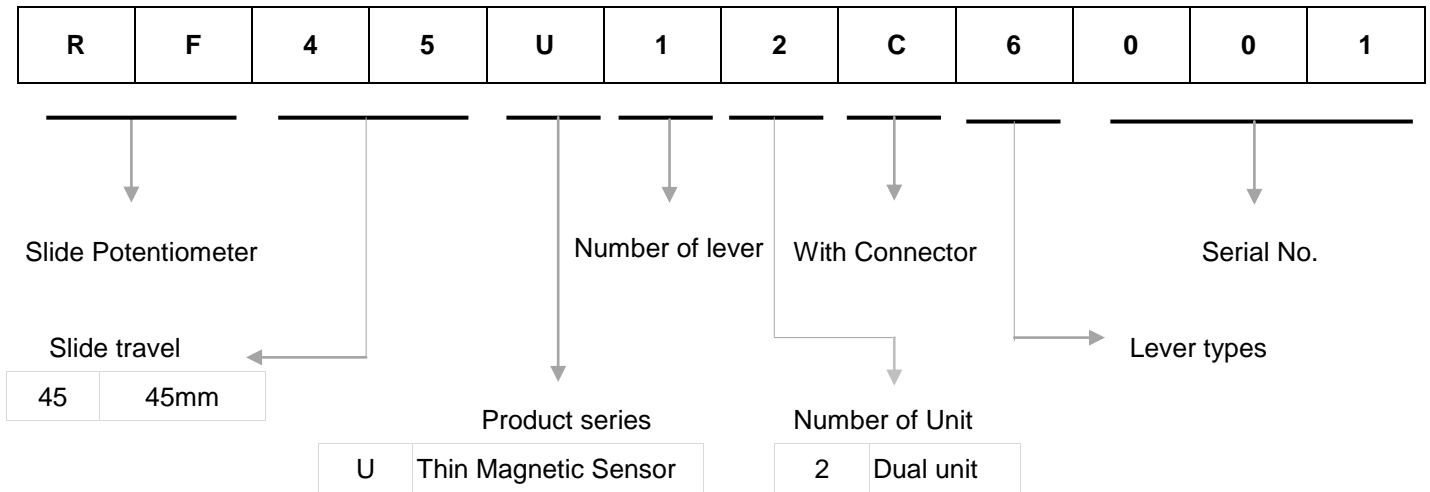
◆ FEATURE

- Non-contact magnetic structure
- Extremely light feeling slide
- Thin and dustproof body design .
- Long life : 5,000,000 cycles

◆ APPLICATIONS

- Fader for mixer, professional audio equipment.

◆ PRODUCTS NUMBERING SYSTEM



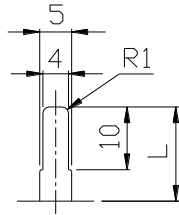
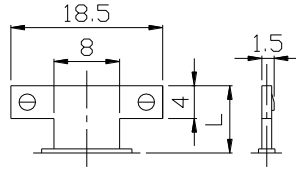
◆ COMMON SPECIFICATIONS

| Characteristics | Specification |
|-----------------------------|---|
| Operating temperature range | -10°C to +70°C |
| Input voltage | 5V±3% |
| Output type | Voltage(absolute) |
| Output characteristic | X type (Refer from Position-Voltage plot below) |
| Output error | 3%(MAX) |
| Stroke resolution | 5 points/mm |
| Operating force | 20 gf max |
| Sliding service life | 5,000,000 cycles |

SLIDE SENSOR


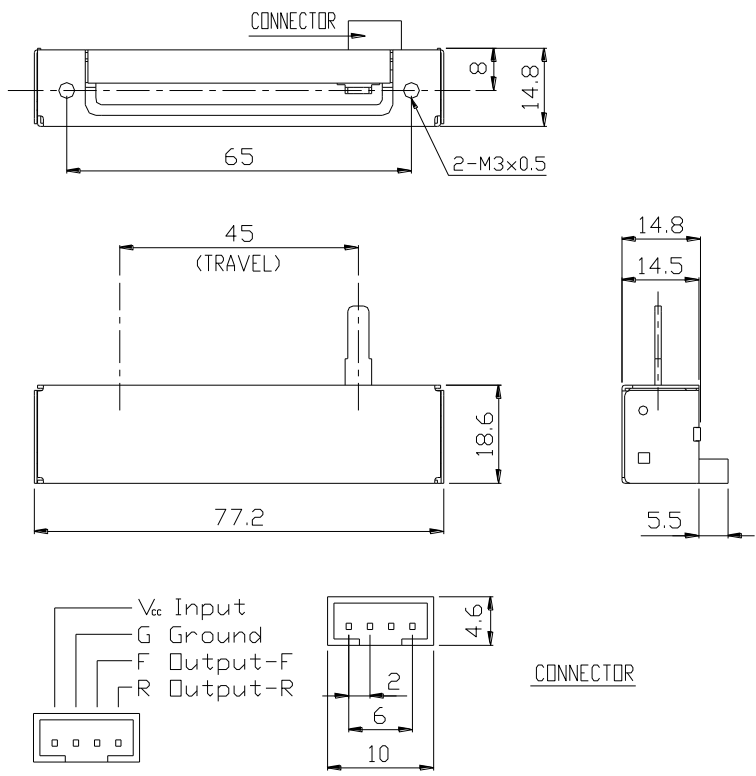
Thin 45mm Magnetic Slide Sensor

◆ LEVER TYPES

| Material | Metal lever | |
|------------|---|--|
| Lever type | 6 | 9 |
| | t=1.2 | t=1.2 |
| Dimensions |  |  |
| Length (L) | 15 | 8.2 |

DIMENSIONS

Unit : mm

| Model | Dimensions |
|--|--|
| RF45U  |  <p> V_{cc} Input G Ground F Output-F R Output-R </p> <p>CONNECTOR</p> |