

SLIDE POTENTIOMETER

Super With LED Type

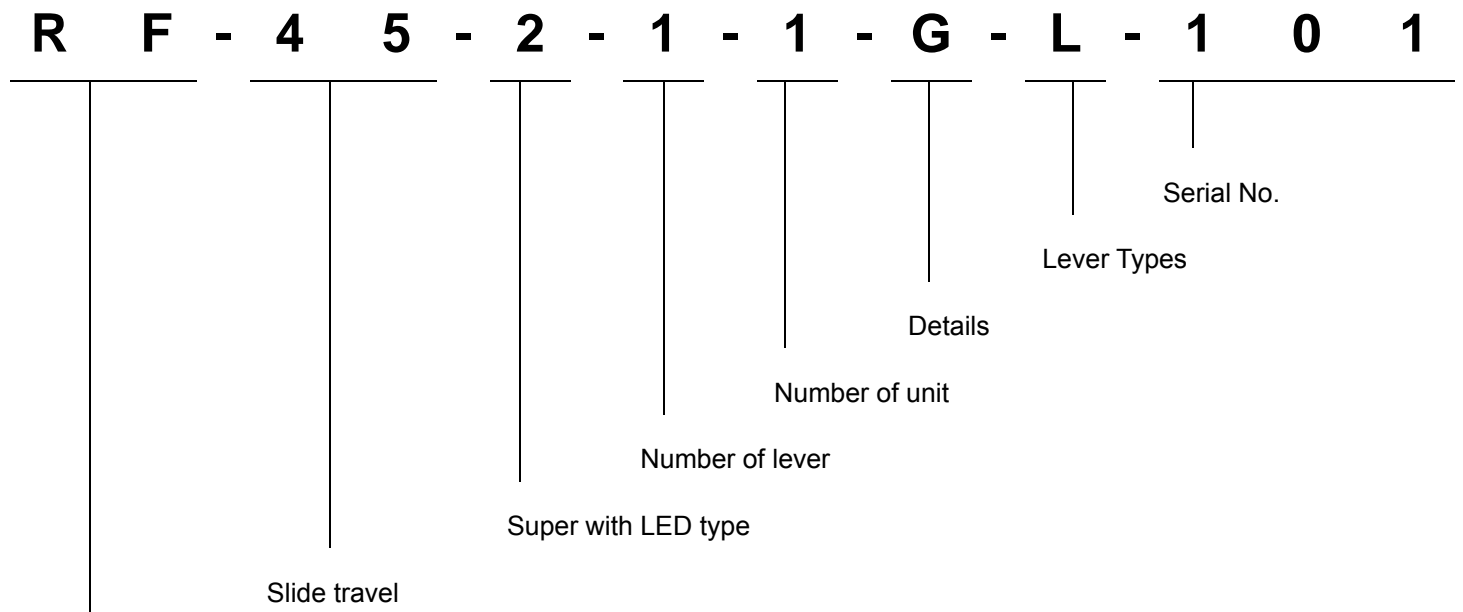


◆ FEATURE

- Snap-in type also available.
- Available in red, orange, green and blue LED colors.

◆ APPLICATIONS

- Controls for graphic equalizers in audio equipment.



Slide potentiometer (RF · RS)

Slide travel		Details	
15、20、25、30、45、60 (mm)		G	Print terminal
Number of unit		H	Print terminal · with tap
1	Single Gang	K	Print terminal · with Click
		L	Print terminal · with tap · with click
		P	Snap-in mounting type

◆ COMMON SPECIFICATION

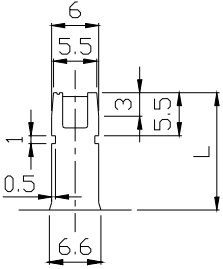
Characteristics	Specification
Operating temperature range	-10°C to +70°C
Operating force	30 ~ 250 gf
Total resistance (KΩ)	5 · 10 · 20 · 50 · 100 · 250 · 500
Total resistance tolerance	±20%
Resistance taper	A,B,C
Sliding service life	15,000 cycles

SLIDE POTENTIOMETER

Super With LED Type

LEVER TYPES


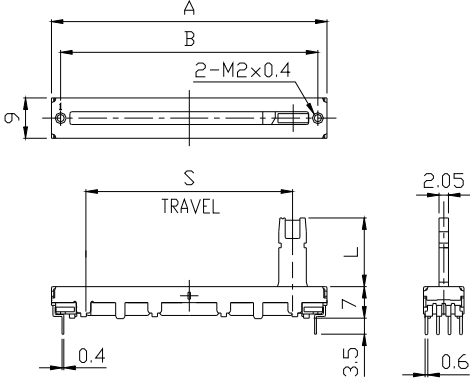
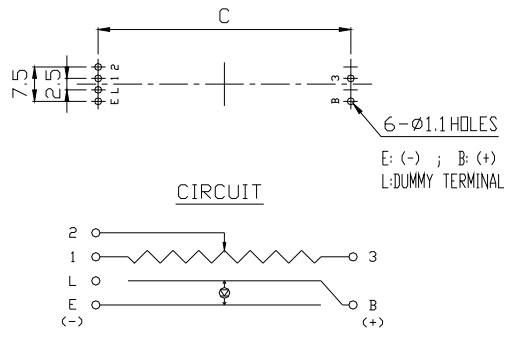

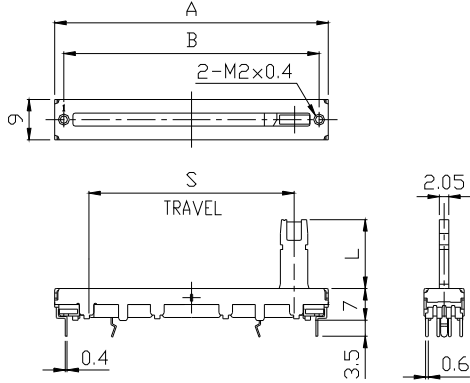
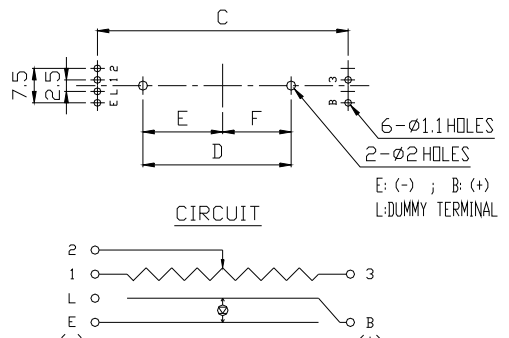
Unit : mm

Material	Insulated lever		
Lever type	L		
Dimensions			
Length (L)	10	15	19

Note: The color of the L type lever is black. Red, orange, green, blue, amber and white are selectable for LEDs.

DIMENSIONS

Unit : mm

Model	Dimensions	
 RF□□211		 <p>6-∅1.1 HOLES E: (-) ; B: (+) L: DUMMY TERMINAL</p>
 RF□□211P		 <p>6-∅1.1 HOLES 2-∅2 HOLES E: (-) ; B: (+) L: DUMMY TERMINAL</p>

P.C.B Mounting hole detail

Model	Dimensions							
	S	A (S+15)	B (S+11)	C (S+10)	D	E	F	
RF15211	15	30	26	25				
RF20211	20	35	31	30	12.5	7.5	5	
RF25211	25	40	36	35				
RF30211	30	45	41	40	22.5	12.5	10	
RF45211	45	60	56	55	32.5	17.5	15	
RF60211	60	75	71	70	47.5	25	22.5	