

# 16 mm Carbon Potentiometers

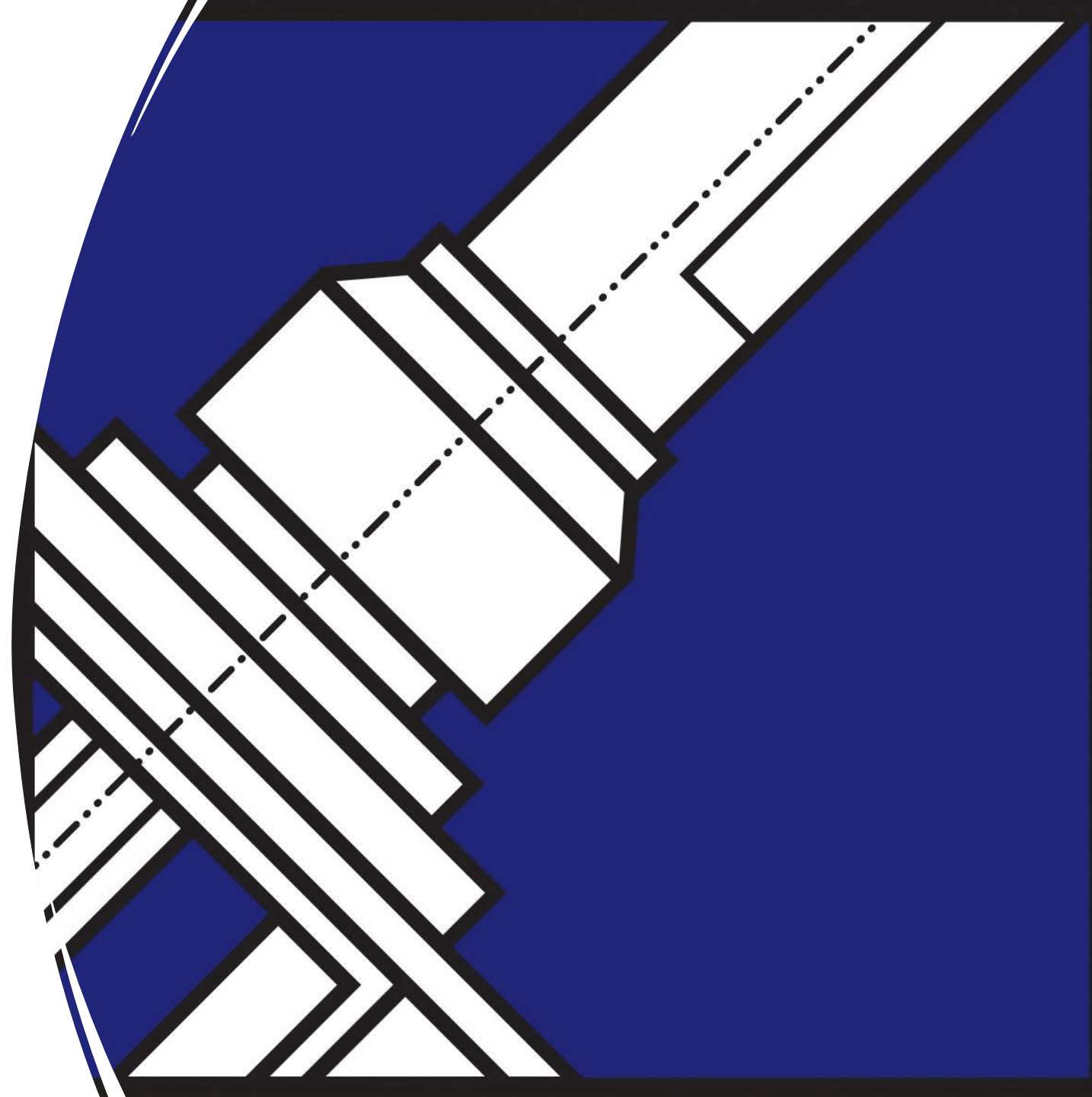
---

Types of 16mm carbon pots:

- Metal Shaft Potentiometers
- Motor-Driven Potentiometers
- Snap-in Insulated Shaft Potentiometers

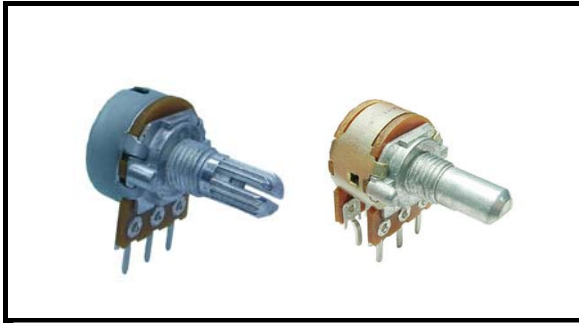
These will be further classified as :-

Single/dual unit, horizontal/vertical mount, up to 41 detent, rotary/pull switch, multi-ganged, with tap, mounting bracket



# ROTARY POTENTIOMETERS

## 16mm Size Metal Shaft Potentiometers

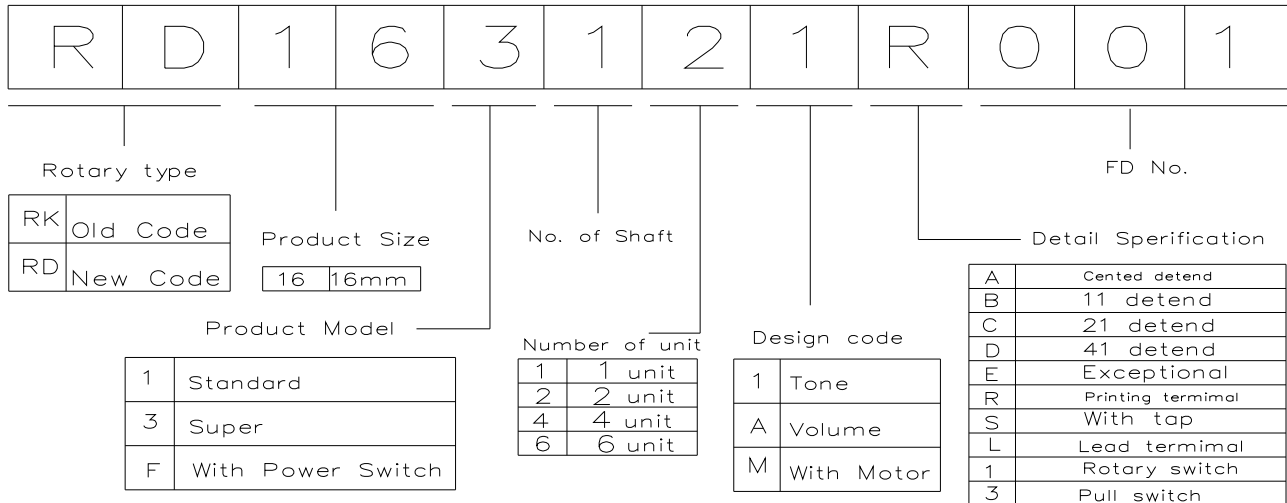


### ◆ Feature

- Our main series, ideal for various TV and audio products and general purpose as well.

### ◆ Applications

- TV set, radio, stereo equipment etc.



### ◆ Common Specification


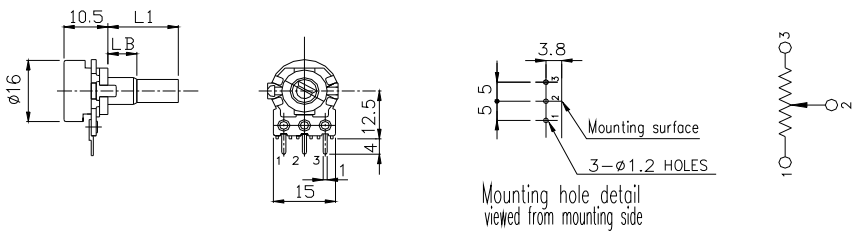

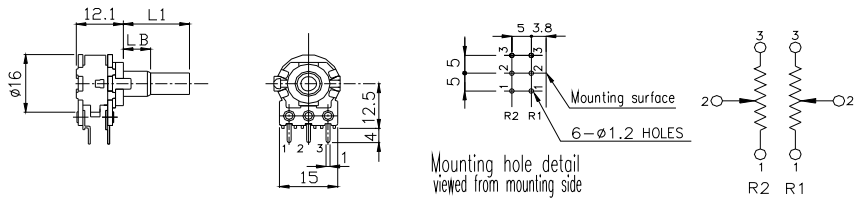
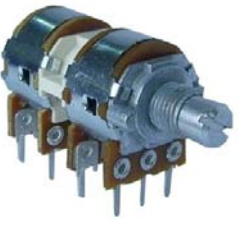
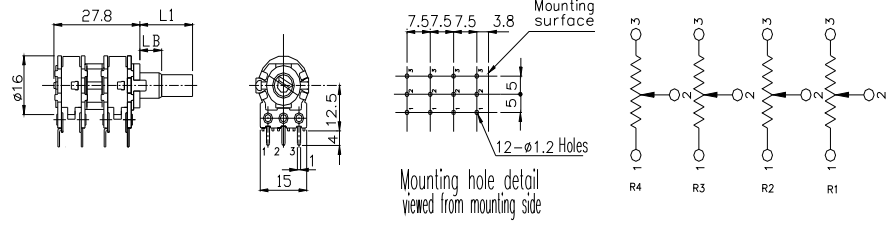
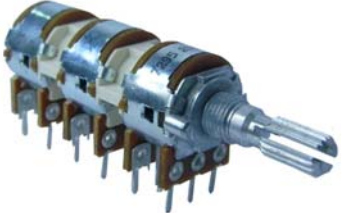
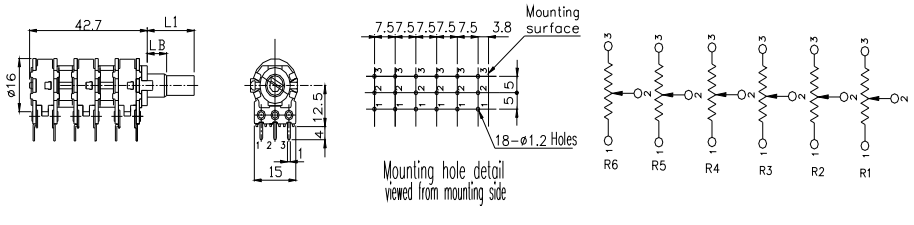

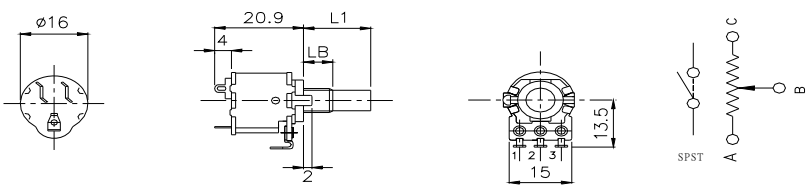

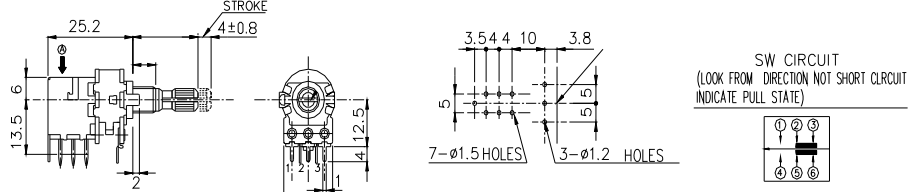
Characteristics	Specification	
Total rotational angle	300±5°	
Rotational torque	30~250gf.cm	
Detent torque	center detent	Rotational torque+ ( 20~200) gf.cm
	11、21、41detent	100~500gf.cm
Rotation stopper strength	9Kgf.cm	
Push pull strength	10kgf max	
Detent angle	center detent	150±3°
	11 detent	30±2°
	21 detent	15±2°
	41 detent	7.5±2°
Both ends±3°		
Total resistance (KΩ)	5,10,20,50,100,250,500	
Total resistance tolerance	±20%	
Rated power	B taper:0.1W Other than B taper 0.05W	
Resistance taper	A,B,C,D,E,K,W,RD,M,N	
Maximum operating Voltage	150V AC                      20V DC	
For general Residual resistance use	10Ω max	
Maximum attenuation level for volume control	5kΩ ≤ R < 10kΩ      70dB min.	
	10kΩ ≤ R < 50kΩ     80dB min.	
	50kΩ ≤ R < 100kΩ    90dB min.	
	100kΩ ≤ R              100dB min.	
Insertion loss for volume control	0.1dB max	
Gang error	For volume	-40 to 0dB±3dB max
	For tone	-60 to 0dB±3dB max
Slider noise	±2dB max, at 50% rotation angle	
Insulation resistance	47 mV max. According to JIS-6443	
Withstand voltage	100mΩ min. 500V DC	
Rotation life	1 minute 100V AC	
	15,000 cycles	

# ROTARY POTENTIOMETERS

## 16mm Size Metal Shaft Potentiometers

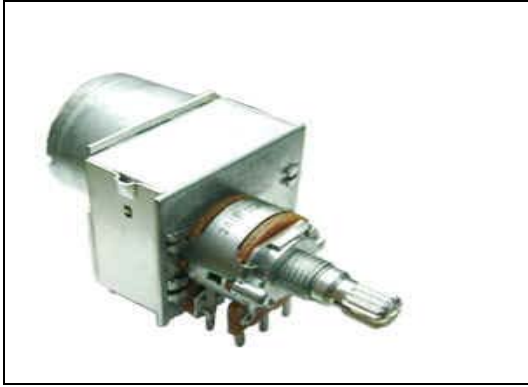
### ◆Dimensions

Unit : mm

Model	Dimensions
<p>Single shaft, single unit RD163111</p> 	 <p>Mounting hole detail viewed from mounting side</p>
<p>Single shaft, dual unit RD16312</p> 	 <p>Mounting hole detail viewed from mounting side</p>
<p>Single shaft, quad unit RD16314</p> 	 <p>Mounting hole detail viewed from mounting side</p>
<p>Single -shaft, 6 ganged unit RD16316</p> 	 <p>Mounting hole detail viewed from mounting side</p>
<p>Single shaft, single unit With rotary switch RD1631111-5M1111(SPST) RD1631111-5M1112(SPDT) (DC 30V 3A)</p> 	 <p>SPST</p>
<p>Single shaft, single unit With push-pull switch RD1611113 (DC 30V 0.3A)</p> 	 <p>SW CIRCUIT (LOOK FROM DIRECTION NOT SHORT CLRCUIT INDICATE PULL STATE)</p>

# ROTARY POTENTIOMETERS

## 16mm Size Rotary Motor-Driven Potentiometers



### ◆Feature


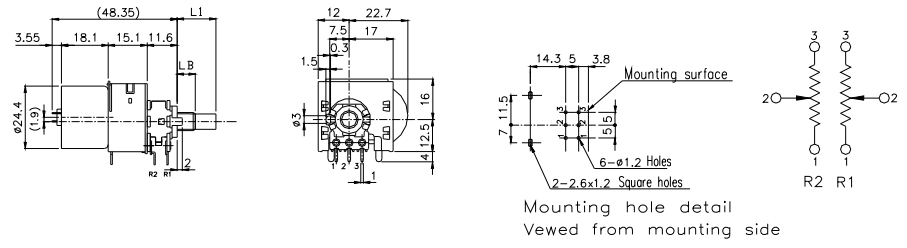

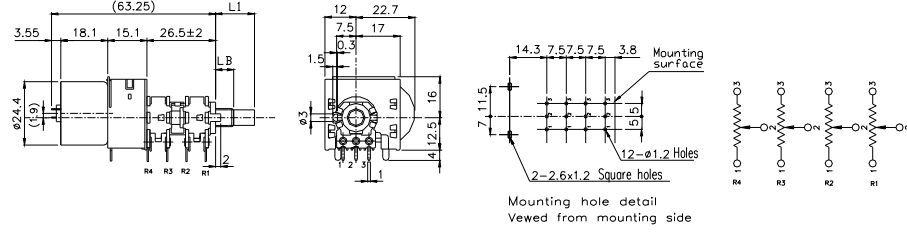
- Potentiometers for various audio products can be remote controlled.
- Permits motor driving and manual operation

### ◆Applications

- For volume control in amplifier, CD player, radio-cassette act.

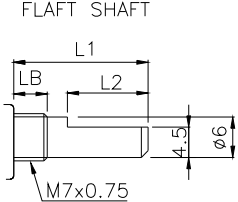
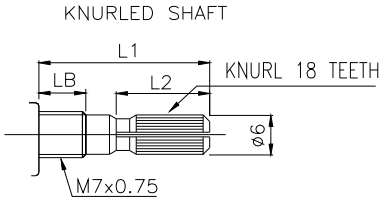
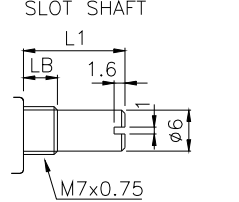
### ◆Dimensions

Unit mm

Model	Dimensions
Single shaft, dual unit RD1631MC 	 <p>Mounting hole detail Viewed from mounting side</p>
Single shaft, quad unit RD16314MC 	 <p>Mounting hole detail Viewed from mounting side</p>

- Motor current: At 4.5V DC applaud to motor. Normal operating 100mA max. sipping operating at both ends 150mA max

### ◆Dimensions of shaft

FLAFT SHAFT				KNURLED SHAFT				SLOT SHAFT			
											
L1	15	20	25	L1	15	20	25	L1	15	20	25
L2	7	12	12	L2	7	11	14	L2	7	7	7
LB	5	7	7	LB	5	7	7	LB	5	7	7

# ROTARY POTENTIOMETERS

## 16mm Size Snap-in Insulated Shaft Potentiometers



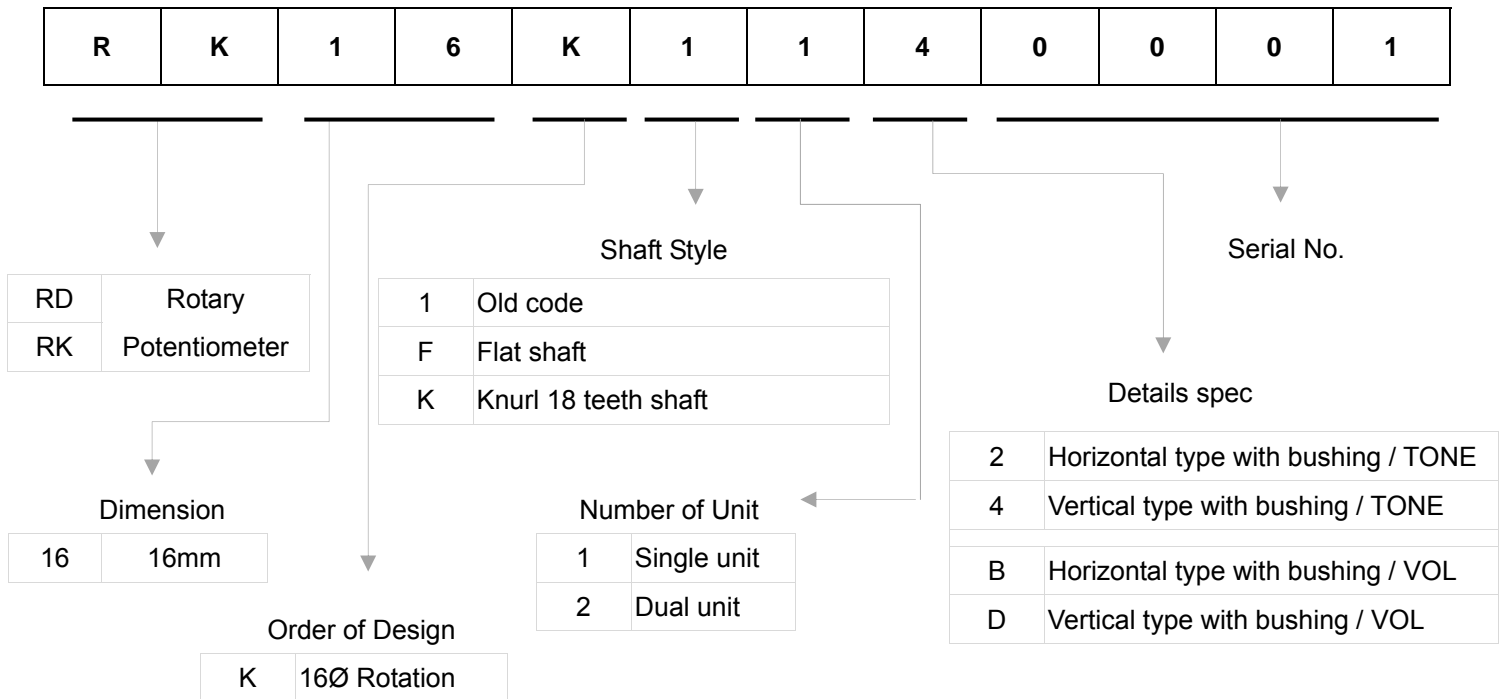
### ◆ FEATURE

- Ideal for all types of audio products.

### ◆ APPLICATIONS

- Ideal for radio, cassette recorder with Radio, amplifier, receiver, etc.

### ◆ PRODUCTS NUMBERING SYSTEM



### ◆ COMMON SPECIFICATIONS

Application	16mm size	
	Single-unit	Dual-unit
Total resistance (KΩ)	5 · 10 · 20 · 50 · 100 · 250 · 500	
Total resistance Tolerance	±20%	
Resistance taper	A · B · C · D · E · W	A · B · C · D · E · M · N · W
Power rating	B Taper 0.1W the others 0.05W	0.05W
Max operating Voltage	50V A.C 20V D.C	50V A.C For A.C only
Rotational angle	300±5°	
rating torque	20~200gf-cm	30~200gf-cm
Bushing nut tightening strength	10Kgf-cm min.	
Rotational Life	15,000 cycles	

# ROTARY POTENTIOMETERS

## 16mm Size Snap-in Insulated Shaft Potentiometers

### ◆ PRODUCTS LINE

Size (mm)	Type	Type	Model	Bushing	Center Detent	Center Tap	Mounting Height (mm)	Applications
16	Single unit	Horizontal	RK16K112	✓	✓	—	12.5	General Purpose
		Vertical	RK16K114	✓	✓	—		
	Dual unit	Horizontal	RK16K122	✓	✓	—	12.5	Tone control
		Vertical	RK16K124	✓	✓	—		
	Dual unit	Horizontal	RK16K12B	✓	✓	—	12.5	Volume control
		Vertical	RK16K12D	✓	✓	—		

### ◆ STANDARD DIMENSION OF SHAFT AND BUSHING

Unit : mm


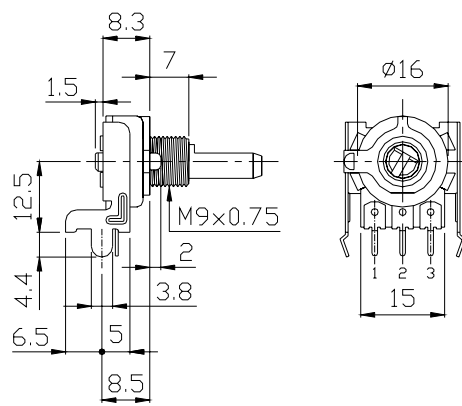
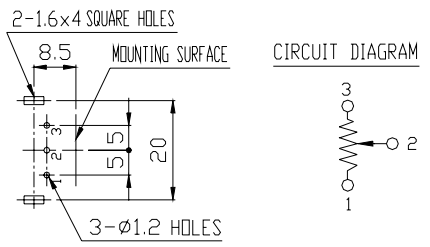
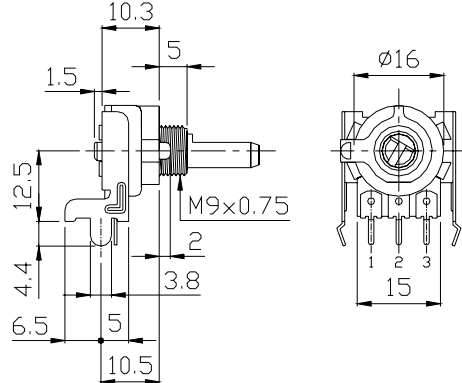
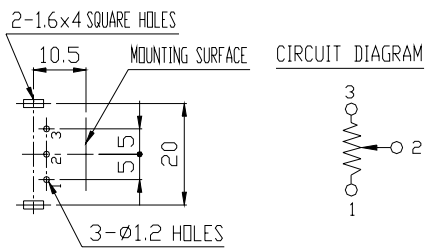

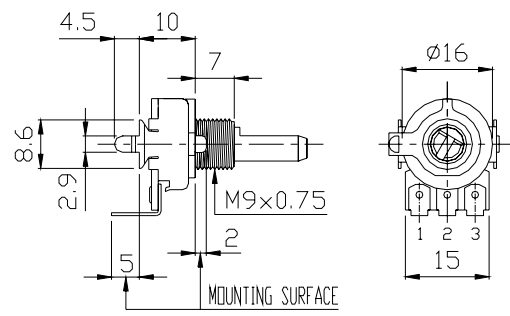
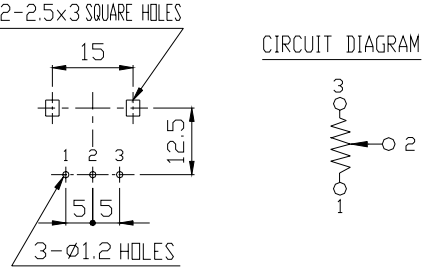
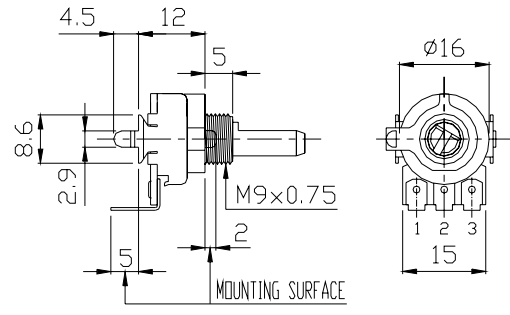
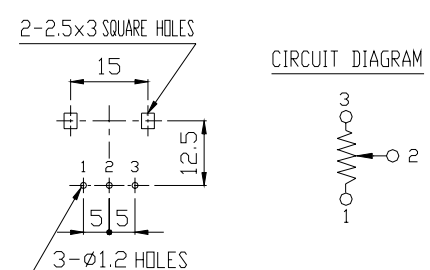
Flat Type						Knurled Type					
Horizontal			Vertical			Horizontal			Vertical		
L1	L2	LB	L1	L2	LB	L1	L2	LB	L1	L2	LB
18	12	5	18	12	5	18	12	5	18	12	5
23	12	5	23	12	5	23	12	5	23	12	5
28	12	5	28	12	5	28	12	5	28	12	5
20	12	7	20	12	7	20	12	7	20	12	7
25	12	7	25	12	7	25	12	7	25	12	7
30	12	7	30	12	7	30	12	7	30	12	7

# ROTARY POTENTIOMETERS

## 16mm Size Snap-in Insulated Shaft Potentiometers

### DIMENSIONS

Unit : mm

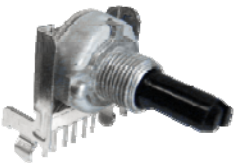
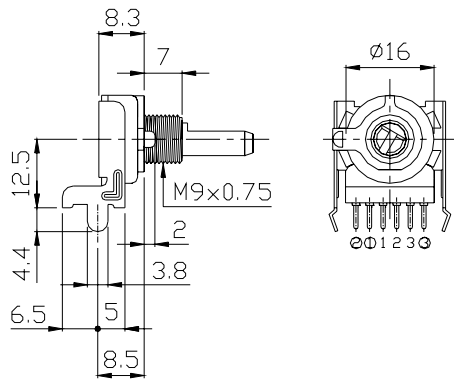
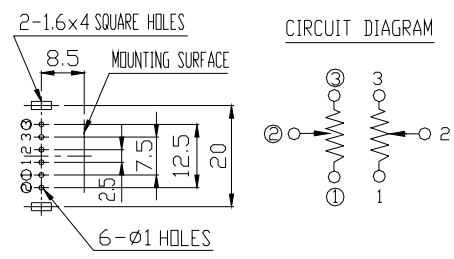

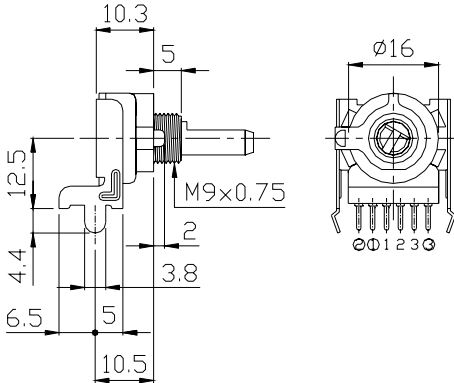
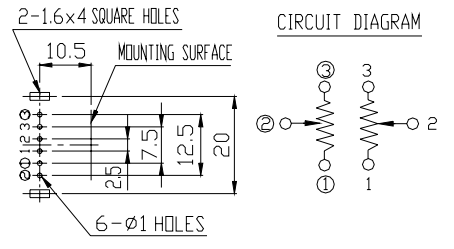
Model	Dimensions	Mounting hole details
		
		
		
		

# ROTARY POTENTIOMETERS

## 16mm Size Snap-in Insulated Shaft Potentiometers

### DIMENSIONS

Unit : mm

Model	Dimensions	Mounting hole details
<p>RK16K122 RK16K12B</p> 		
<p>RK16K124 RK16K12D</p> 		
<p>RK16K124 RK16K12D</p> 